

# Change Notice

# S & SB Series

## Change to Location of Production for S Toggles & SB Pushbuttons

Type of Change:

- Engineering
- Part Number
- Product
- Appearance

The location of production for S Toggles and SB Pushbuttons will change from the Japan factory to the Philippines factory. Other changes will include the lot number on the face of the switch to have a dot marking above the second digit. "Nikkai" and "Made in Japan" will no longer appear on the bottom of the switch. The box in which the switches are packed for shipping will now read "PHILIPPINES FACTORY" instead of "JAPAN FACTORY." All of these modifications will apply to custom as well as standard products.



Changes for S Toggle and SB Pushbutton Production

Example: S6A	Top of Switch	Bottom of Switch	Shipping Box
<b>Before Changes</b>	<p>Example of Lot Number</p> <p>Lot Number</p>	<p>Factory Name and Location</p> <p>"Nikkai"</p> <p>"Made in Japan"</p>	<p>"JAPAN FACTORY" printed on side of box</p>
<b>After Changes</b>	<p>Example of Lot Number with Dot Mark Above Second Digit</p> <p>Lot Number with Dot Mark</p>	<p>Factory Name and Location Removed</p> <p>"Nikkai" Removed</p> <p>"Made in Japan" Removed</p>	<p>"PHILIPPINES FACTORY" printed on side of box</p>

### Notes

There are no changes to the switches' dimensions or specifications. See page 2 for specific part numbers effected by these changes. Contact the factory if more details are needed.

### Effective Date

Changes to S Toggles and SB Pushbuttons will be effective May 2016.



<http://www.nkkswitches.com> • 1.877.2BUYNKK (228.9655)

7850 East Gelding Drive • Scottsdale, AZ 85260 • Telephone 480.991.0942 • Fax 480.998.1435

# Change Notice

## S & SB Series

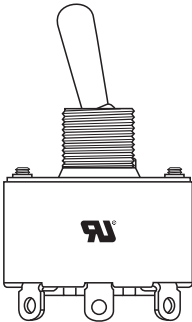
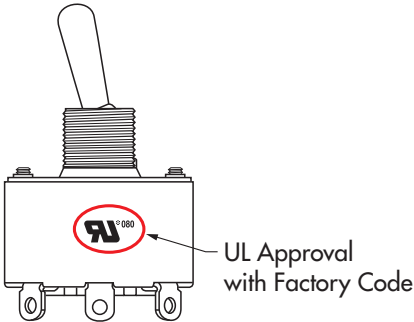

### Part Numbers Affected by Production Changes

S Toggles			SB Pushbuttons
S6A	S7A	S21A	SB61A
S6A/U	S7AL	S21AL	SB61A/U
S6AL	S7AW	S21AW	SB61B
S6AL/U	S7B	S21B	SB63A
S6AW	S7B/U	S25AW	—
S6B	—	S28AW	—
S6B/U	—	S29AW	—

## Change to S Toggles & SB Pushbuttons with UL Approval

S Toggles and SB Pushbuttons with UL approval will have a change on the side of the switch case to include both standard and custom devices. Previously, only the UL symbol appeared on the case. After this change, the UL factory code will be added next to the symbol. The table below illustrates the modification.

### UL Factory Code Change on Side of S Toggle & SB Pushbutton Switches

Before Change	After Change
 <p>Example: S6A/U</p>	 <p>Enlarged to Show Detail</p> 

### Part Numbers Affected by Addition of UL Factory Code

S Toggles				SB Pushbuttons
S6A/U	S6AL/U	S6B/U	S7B/U	SB61A/U

### Effective Date

Changes to S Toggles and SB Pushbuttons will be effective May 2016.

**NIKK**  
SWITCHES

<http://www.nkkswitches.com> • 1.877.2BUYNKK (228.9655)

7850 East Gelding Drive • Scottsdale, AZ 85260 • Telephone 480.991.0942 • Fax 480.998.1435