

# Change Notice

## CK Series

### Mounting Hardware for Molded CKM Keylock Switch

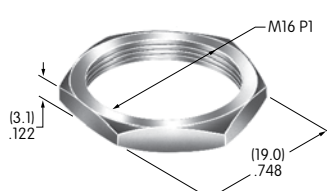
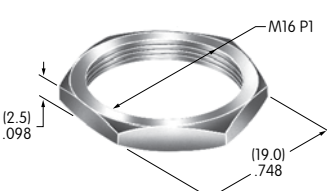
Type of Change:

- Engineering     Part Number  
 Product         Appearance

The material for the mounting hardware (hex nut) will change. The thickness of the nut will change.

**This change will affect the following products:**

All **CKM** molded keylock models, except some custom products

Mounting Hardware (Hex Nut)	
Before Change	After Change
 <p><b>Material: brass with nickel plating</b></p>	 <p><b>Material: steel</b></p>

#### Effective Date

Change will be effective with October 2010 production.

**NKK**  
SWITCHES

www.nkkswitches.com  
1.877.2BUYNKK (228.9655)

7850 East Gelding Drive • Scottsdale, AZ 85260  
Telephone 480.991.0942 • Fax 480.998.1435