

Change Notice

FT Series

Discontinuation & Replacement of Controller Boards for FT Series Touch Screens

Type of Change:

- Engineering Part Number
 Product Appearance

Discontinued Products	Alternate Product
FTCS04A	FTCS04B
FTCS04A2	

The 4-wire analog FT Series Touch Screens Controller Boards for RS232C will be replaced. FTCS04A and FTCS04A2 will be discontinued, and FTCS04B will be the alternate. This change will apply to standard and custom controller boards. The alternate board's specifications are compared on the following tables, and dimensions are on page 2.

General Specifications Comparison		
Items	FTCS04A & FTCS04A2 (Discontinued)	FTCS04B (Alternate)
Interface	RS232C	RS232C
Clock	10MHz	6MHz
Supply Voltage	5.0V	5.0V
Resolution	10bit	10bit
Current Consumption	40mA maximum	40mA maximum
Communication Speed	*1200, 2400, 4800, 9600, 19,200 bps (Standard is 9600 bps)	9600 bps
Communication Format	Data Length: 8bit Parity: None, Odd Number, Even Number Stop Bit: 1, 2	Data Length: 8bit Parity: None Stop Bit: 1

*Applies to FTCS04A only; may be changed by commanding from host on FTCS04A2

Absolute Maximum Ratings

Items	Symbols	FTCS04A & FTCS04A2		FTCS04B	
		Min	Max	Min	Max
Supply Voltage	V_{CC}	-0.3V	+6.0V	-0.3V	+5.5V
Input Voltage	V_{TP}	—	$V_{CC}+0.3V$	—	V_{CC}
	V_{RS}	-25V	+25V	-15V	+15V
Operating Temperature	T_{OPR}	0°C +32°F	+70°C +158°F	0°C +32°F	+70°C +158°F
Storage Temperature	T_{STG}	-25°C -13°F	+85°C +185°F	-25°C -13°F	+85°C +185°F

Recommended Values

Items	Symbols	FTCS04A & FTCS04A2			FTCS04B		
		Min	Typ	Max	Min	Typ	Max
Supply Voltage	V_{CC}	+4.5V	+5.0V	+5.5V	+4.75V	+5.0V	+5.25V
Operating Temperature	T_{OPR}	0°C +32°F	—	+70°C +158°F	0°C +32°F	—	+70°C +158°F

Notes

A different device driver and operating system are required to use with the alternate controller board. When selecting to use the alternate controller board, consult the NKK catalog or web site for more information. Contact NKK Switches if more details are needed.

Effective Date

The FTCS04B Controller Board will replace FTCS04A and FTCS04A2 Controller Boards effective September 28, 2018.

NKK
SWITCHES

<http://www.nkkswitches.com> • 1.877.2BUYNKK (228.9655)

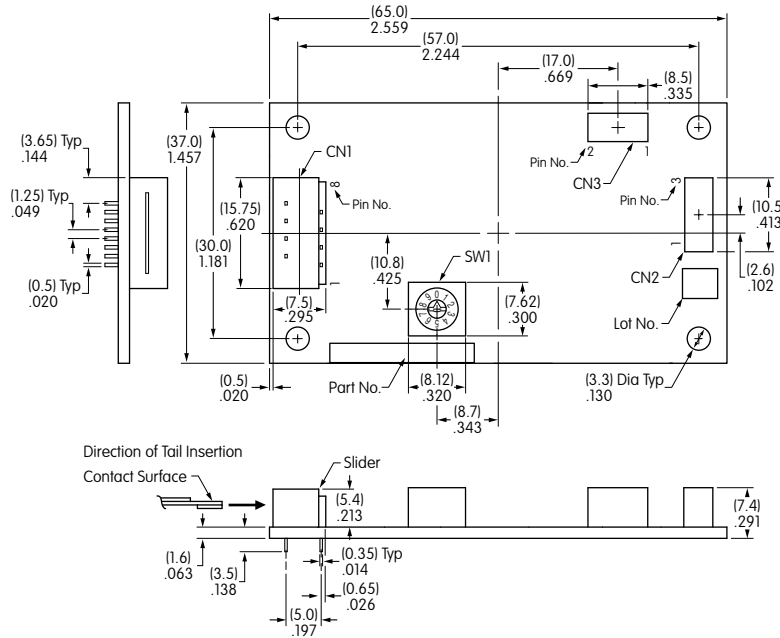
7850 East Gelding Drive • Scottsdale, AZ 85260 • Telephone 480.991.0942 • Fax 480.998.1435

Change Notice

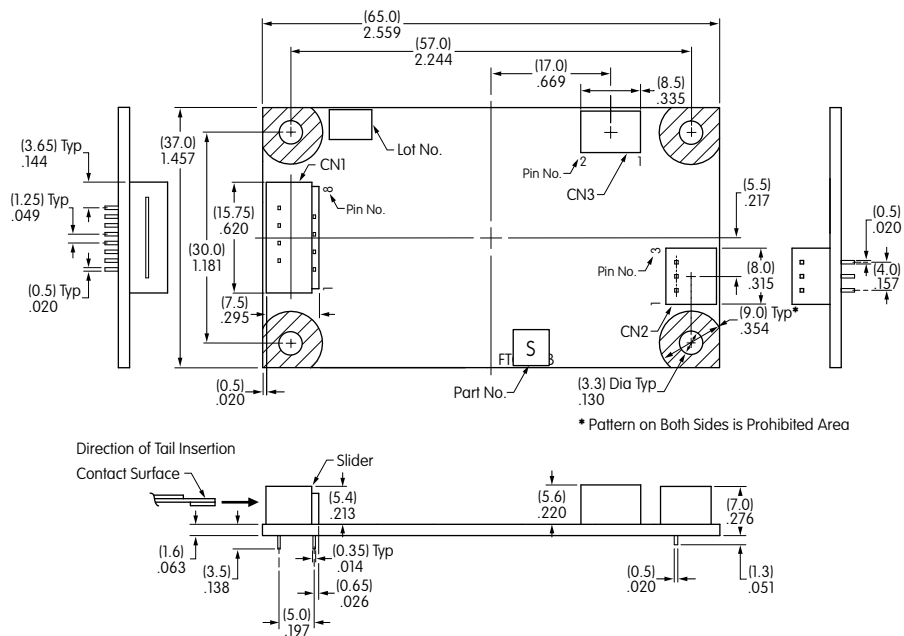
FT Series

Discontinuation & Replacement of Controller Boards for FT Series Touch Screens

FTCS04A & FTCS04A2
Discontinued



FTCS04B
Alternate



<http://www.nkkswitches.com> • 1.877.2BUYNKK (228.9655)

7850 East Gelding Drive • Scottsdale, AZ 85260 • Telephone 480.991.0942 • Fax 480.998.1435