

# General Specifications

For high frequency (DC through 1GHz): Isolation 40dB minimum at 1GHz.  
Insertion loss 0.5dB maximum at 1GHz.

Impedance 75 ohms

Innovative alternative to relay products

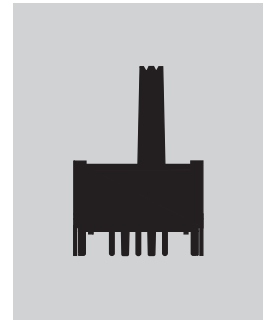
Highly reliable, self-cleaning twin contact mechanism with gold plating

Long total travel of .138" (3.5mm) for highly visible actuator position

Distinct audible and tactile feedback during actuation

Suited to high frequency applications (90MHz to 1GHz) such as CATV and communication equipment

Actual Size  
with Tall Actuator



## Distinctive Characteristics

### Electrical Capacity (Resistive Load)

**Logic Level:** 0.4VA maximum @ 28V AC/DC maximum  
(Applicable Range 0.1mA ~ 0.1A @ 20mV ~ 28V)  
Note: Find additional explanation of operating range in Supplement section.

### RF Ratings

**Impedance:** 75 ohms  
**Insertion Loss:** 0.5dB maximum @ 1GHz  
**Isolation:** 40dB minimum @ 1GHz

### Other Ratings

**Contact Resistance:** 200 milliohms maximum  
**Insulation Resistance:** 250 megohms minimum @ 500V DC  
**Dielectric Strength:** 500V AC minimum for 1 minute minimum  
**Mechanical Life:** 1,000 operations minimum  
**Electrical Life:** 1,000 operations minimum  
**Contact Timing:** Nonshorting (break-before-make)  
**Total Travel:** .138" (3.5mm)

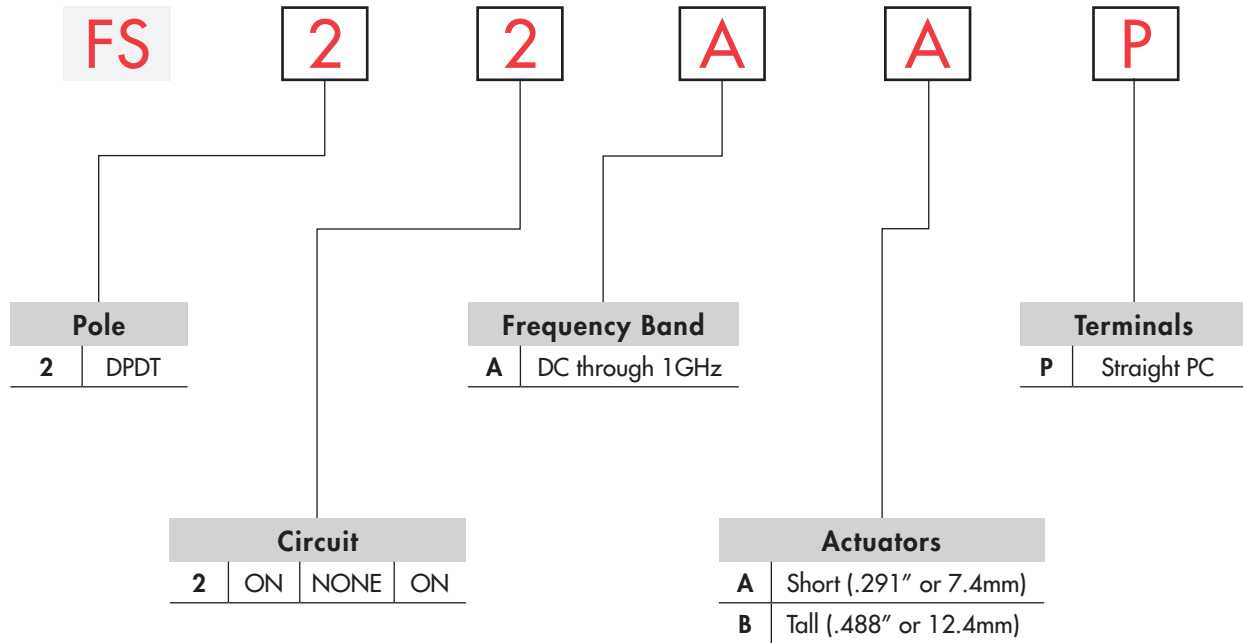
### Environmental Data

**Operating Temp Range:** -30°C through +85°C (-22°F through +185°F)  
**Humidity:** 90 ~ 95% humidity for 240 hours @ 40°C (104°F)  
**Vibration:** 10 ~ 55Hz with peak-to-peak amplitude of 1.5mm traversing the frequency range & returning in 5 minutes; 3 right angled directions for 2 hours  
**Shock:** 50G (490m/s<sup>2</sup>) acceleration (tested in 6 right angled directions, with 5 shocks in each direction)

### Installation

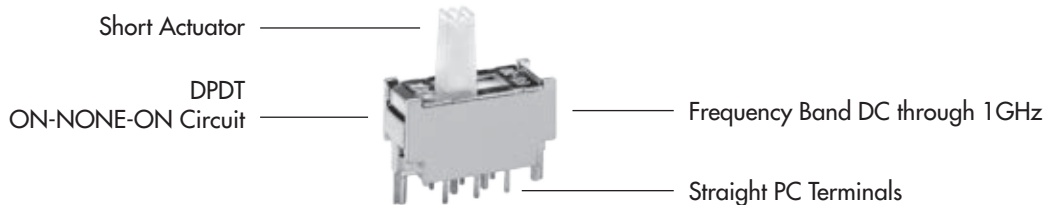
**Soldering Time & Temp:** Wave Soldering: See Profile A in Supplement section.  
Manual Soldering: See Profile A in Supplement section.  
**Cleaning:** These devices are not process sealed. Hand clean locally using alcohol based solution.

TYPICAL SWITCH ORDERING EXAMPLE



DESCRIPTION FOR TYPICAL ORDERING EXAMPLE

FS22AAP



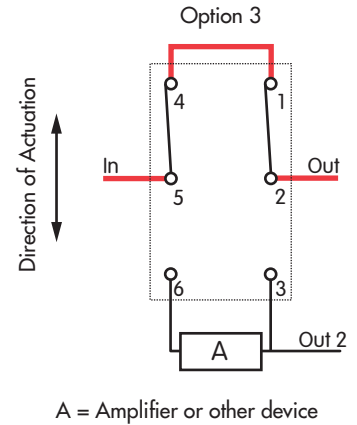
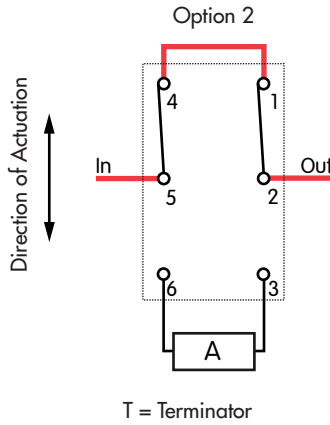
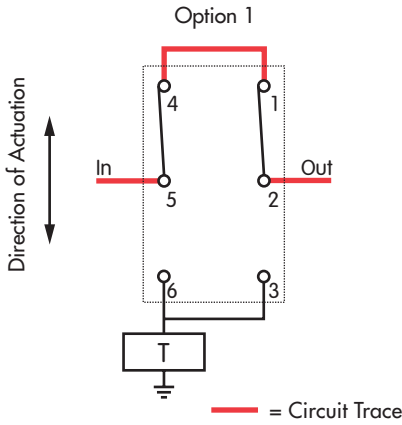
POLE & CIRCUIT

		Slide Position			Connected Terminals			Throw & Schematics
Pole	Model	Left	Center	Right	Left	Center	Right	
DP	FS22	ON	NONE	ON	2-1 5-4	NA	2-3 5-6	Note: Terminal numbers are not actually on the switch. DPDT

Toggles  
 Rockers  
 Pushbuttons  
 Illuminated PB  
 Programmable  
 Keylocks  
 Rotaries  
 Slides  
 Tactiles  
 Tilt  
 Touch  
 Indicators  
 Accessories  
 Supplement

## HIGH FREQUENCY PERFORMANCE

### RF Connection Options



#### Isolation

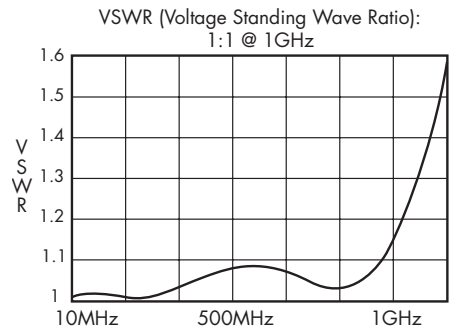
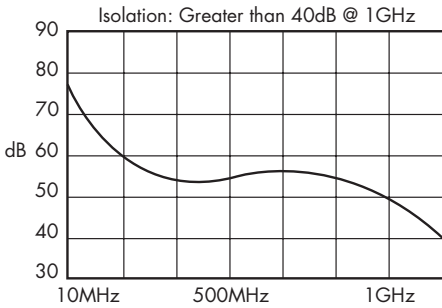
>40dB @ 1GHz  
(higher value is better)

#### Insertion Loss

<0.5dB @ 1GHz  
(lower value is better)

#### Standing Wave Ratio or Impedance Matching

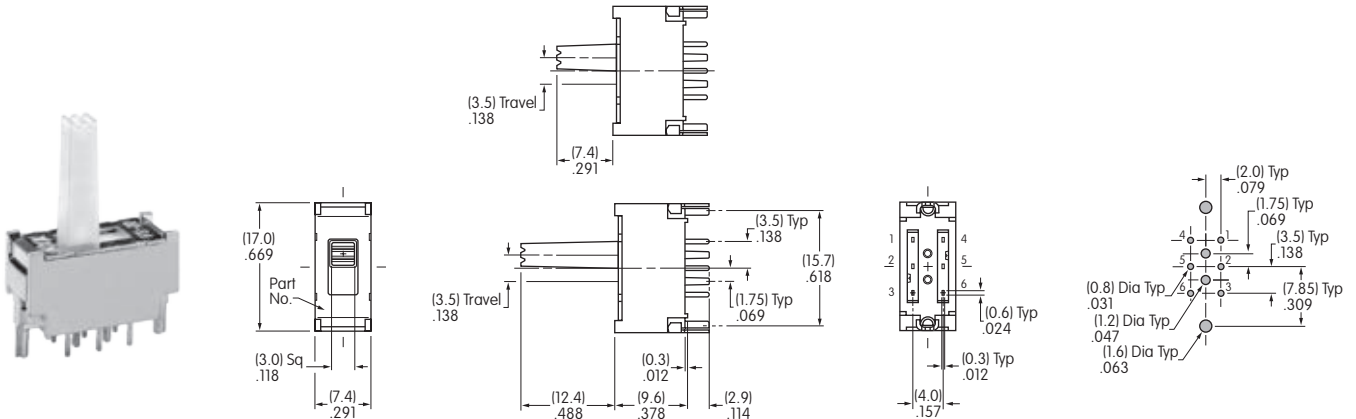
Standing Wave = ratio between highest voltage & lowest voltage  
(must always be more than 1)



Note: The data above reflects the conditions using the FS switch on a test PCB with two coaxial connectors. High frequency applications require external connection on the PCB. Contact factory for details.

## TYPICAL SWITCH DIMENSIONS

### Short & Tall Actuators



FS22ABP

Actuator in LEFT position.

Toggles, Rockers, Pushbuttons, Illuminated PB, Programmable, Keylocks, Rotaries, Slides, Tactiles, Tilt, Touch, Indicators, Accessories, Supplement