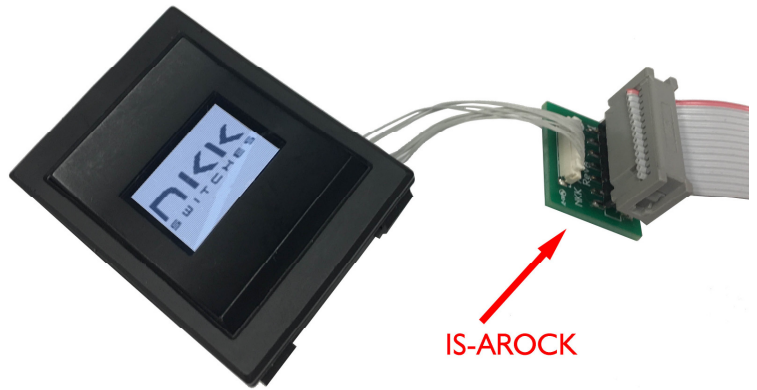


7850 East Gelding Drive • Scottsdale, AZ 85260-3420

Description: The IS-AROCK is an adaptor with a 12SUR-32S connector linked to a 14-pin 2x7 .001" ribbon-cable header.

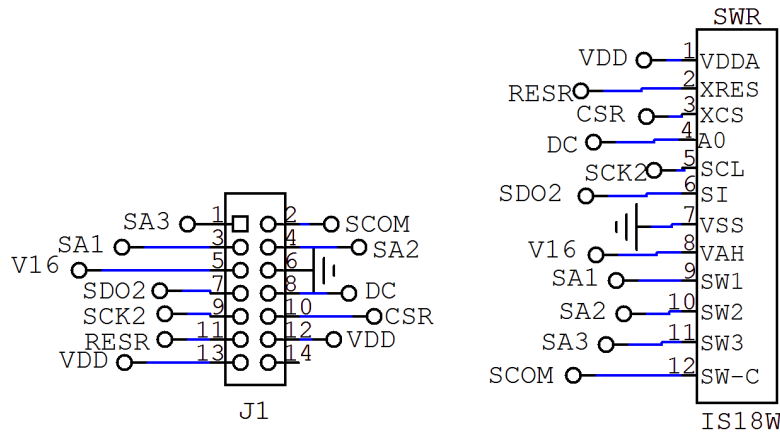
Use: To connect a 14-pin ribbon cable from a standard 2x7 .001" PCB header to the ATD715-3 3" cable from the IS18WWC1W OLED Rocker. This is to extend the distance between the OLED rocker and the controller beyond available OLED rocker cables.



It has been tested on a 6' long ribbon cable under laboratory conditions without issues. It is recommended that the IS-AROCK should be tested in the application environment at the ribbon-cable length that is required.

Part Number: IS-AROCK.

IS-AROCK schematic:



Board photo and layout:

