

Series JW Power Rockers

Distinctive, robust power rockers populate the JW Series, featuring 10A and 16A models. Panel seal versions qualify for the IP67 rating of IEC 60529 Standards. The terminals, which can be used with connectors, are molded in and epoxy sealed, inhibiting entry of flux and dust. Standard IEC symbols for On-Off, or custom inscriptions, can be ordered for the rocker caps, which are offered in black, ivory, red or gray. Barriers are an option available in black, ivory or gray and prevent accidental actuation.

These convenient snap-in mount rockers readily handle inclement conditions found in industrial, construction, military, medical or transportation applications. They function efficiently and dependably, readily equipped to handle rugged environments characterized by heat, cold, humidity and exposure to elements.



NKK's JW Series has a rich offering of reliable power rockers ready to handle rigorous conditions

HIGH INRUSH 10 & 16 AMP ROCKERS

Characteristics & Specifications

JW Series Standard Size Rocker

- Molded rocker designed to handle large inrush current. High electrical capacity of 10 and 16 amps
- JWMW and JWLW panel seal versions meet IP67 of IEC 60529 Standards at front panel
- Snap-in mounting facilitates quick and easy panel installation
- Black or red rocker caps with black housing for JWMW and JWLW
- Standard inscriptions in black ink on ivory or gray caps; white ink on black or red caps. IEC symbols for On-Off for Single Throw models. Custom legends also available.
- Prominent external insulating barriers increase insulation resistance and dielectric strength
- Benefits from specially designed plate include increased electrical life, minimization of contact bounce
- Interior cover between actuator and contact area designed for dust resistance
- Uniquely constructed to break light contact welds
- Solder lug/quick connect terminals are molded in, epoxy sealed to block entry of contaminants; can be used with connector



- Housing and case meet UL94V-0 flammability standards
- Standards and certifications include UL, cULus, CSA and VDE. JWM and JWL models conform to the IEC 61058-1 Standard for 3mm (.118") contact gap to prevent contact welds.

Power Level: **JWM & JWMW** 10A @ 125/250V AC
JWMW 10A @ 30V DC; **JWL & JWLW** 16A @ 125/250V AC
 5A @ 72V DC for telecommunication applications

Contact Resistance: **JWM & JWMW** 10 milliohms max
JWL & JWLW 20 milliohms max

Insulation Resistance: 1,000 megohms min @ 500V DC

Dielectric Strength: 2,000V AC min between contacts for 1 minute min;
 4,000V AC min between contacts & case for 1 minute min

Mechanical Life: 25,000 operations min

Electrical Life: 25,000 operations min

Nominal Operating Force: **JWM & JWMW** Single Pole 3.92N;
JWM & JWMW Double Pole 7.84N; **JWL** Single Pole 5.0N;
JWL Double Pole 10.0N; **JWLW** Double Pole 10.0N

Angle of Throw: 26°

Operating Temperature Range:

JWM & JWL -25°C ~ +70°C (-13°F ~ +158°F)

JWMW & JWLW panel seal -25°C ~ +85°C (-13°F ~ +185°F)

Ratings for UL & CSA: **JWM** Overload Test @ 120V AC for 50 operations:
 Steady State Current (rms) 7.5A; Min Inrush Current (peak) 111A.

JWM Endurance Test @ 120V AC for 25,000 operations:

Steady State Current (rms) 5A; Min Inrush Current (peak) 78A.

JWL Overload Test @ 120V AC for 50 operations:

Steady State Current (rms) 12A; Min Inrush Current (peak) 163A

JWL Endurance Test @ 120V AC for 25,000 operations:

Steady State Current (rms) 8A; Min Inrush Current (peak) 117A.

ACCESSORIES

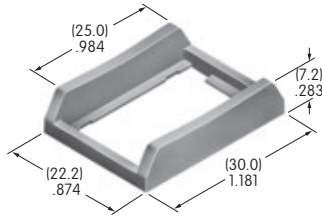
AT217 Barrier for JWM

Barrier option comes factory assembled on switch. Also available separately.

Material: Polyamide

Finish: Matte

Colors: Black Ivory Gray



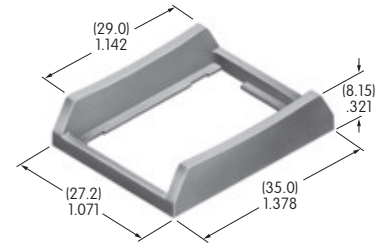
AT218 Barrier for JWJ

Barrier option comes factory assembled on switch. Also available separately.

Material: Polyamide

Finish: Matte

Colors: Black Ivory Gray



AT4126 Dust Cover for JWJ (optional)

When installed, the Dust Cover gives the rocker switch protection against environmental dust and small particles. The actuator is operable with the Dust Cover in place.

Material:

Lid Clear Polyvinyl Chloride

Base Black Polyamide

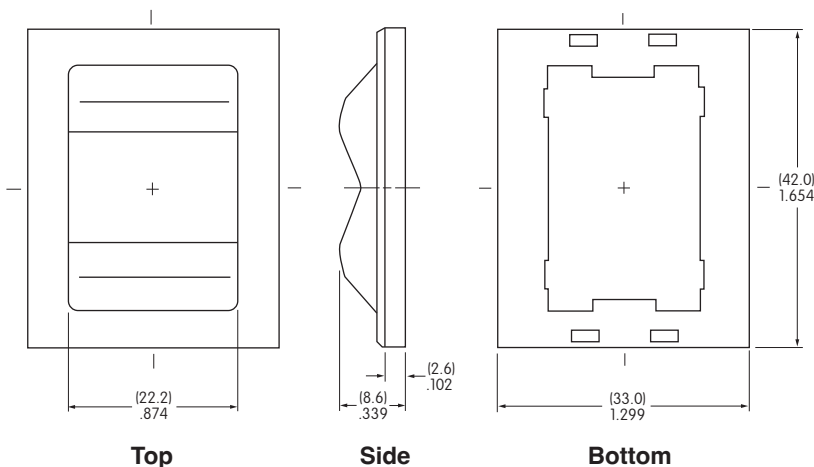
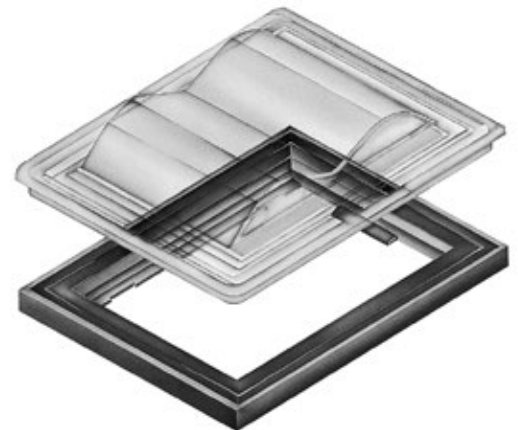
Recommended Temperature Range:

-10°C ~ +70°C (+14°F ~ 158°F)

Loses pliability below 0°C (+32°F)

Recommended Panel Thickness:

.031" ~ .134" (0.8mm ~ 3.4mm)



Notes:

1. The Dust Cover is not for use with JWJLW.
2. The Dust Cover cannot be used with the barrier option.

Assembly Instructions:

1. Insert bottom of switch through the base until the tabs lock into place.
2. Snap the switch into the panel.
3. Seat the lid into the grooves of the base.

