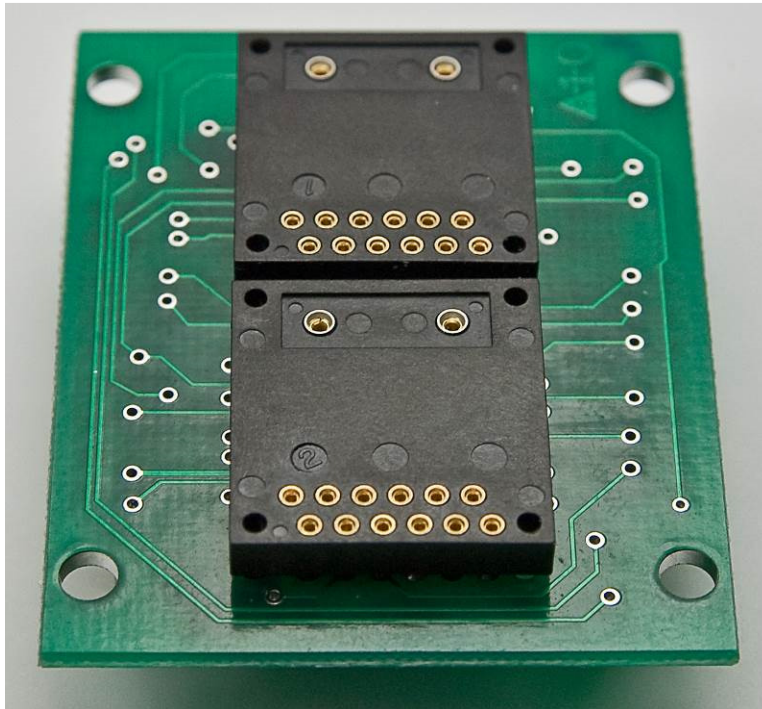


LCD 36x24 Logic Boards User Manual

Revision D

**NKK SWITCHES**7850 E. Gelding Drive
Scottsdale, AZ 85260

Toll Free 1-877-2BUYNKK (877-228-9655)

Phone 480-991-0942

Fax 480-998-1435

e-mail <engineering@nkkswitches.com>

All Rights Reserved Worldwide

NKK Switches makes no warranty for the use of these products and assumes no responsibility for any errors, which may appear in this document, nor does it make a commitment to update the information contained herein. Smart Switch is trademark of NKK Switches.

TABLE OF CONTENTS

Table of Contents	2
1. Preface.....	3
2. General Logic Board Features	3
3. Part Number Configuration	3
4. Standard Part Numbers	4
5. Connectors	5
6. Board Dimensions.....	7
7. Schematics.....	11
8. Key Terms & Definitions.....	16

1. Preface

The LCD 36x24 logic boards are used for mounting LCD 36x24 SmartSwitches or SmartDisplays into panels and system assemblies. The 2 switch versions are also used in the SmartSwitch Dev Kits as demonstration platforms for the SmartSwitch and SmartDisplays. This user manual will go through general features. The NKK Switches' SmartSwitch web site is <http://www.nkkswitches.com/smartswitch/>.

2. General Logic Control Features

The LCD 36x24 logic boards are PCB's that have mount positions for one or more LCD 36x24 SmartSwitches or SmartDisplays. The switches/displays can be mounted directly on the logic board or on a socket mounted on the board. One or two switch boards are the most common but logic boards with other configurations are available as well as custom designs. They have some "glue logic" for converting the backlight addressing and switch scanning to serial, and therefore many logic boards can be daisy-chained via 14-pin ribbon cables. The switch numbering is according to their order in the daisy-chain, where the switch number one is on the logic board connected directly to the controller. The LCD 36x24 logic boards are 4-bit logic except IS-L0102-IS15BAFP4CF which is 2-bit. Many controllers are designed to work either with 4-bit or 2-bit logic boards.

There are four types of LCD 36x24 logic boards; Bicolor/Monocolor pushbutton, RGB pushbutton, Bicolor/Monocolor/RGB display, and Bicolor/Monocolor/RGB compact.

3. Part Number Configuration

The logic board part numbers are divided up by their attributes.

1 2 3 4
IS - L0205 - 5 C

1. IS Prefix.
2. The Logic Board base part number. The first number is the quantity of switch positions on the board. The second number is the version.
3. No code = Standard 9 to 12 V voltage.
5 = 5 V voltage
4. No code = No socket for IS switches.
C = Socket are soldered to the PCB for IS switches

Logic boards can be customized based on customer requirements.

4. Standard Part Numbers

One or two switch boards are the most common but logic boards with other configurations are available as well as custom designs. NKK Switches will work with customers to design and build custom logic boards to fit customer requirements.

Part number examples used in IS Dev Kits:

SmartSwitch Configuration	Part Number	Description
Two LCD 36x24 Bicolor, or Monocolor Pushbutton	IS-L0205-C	With socket
Two LCD 36x24 RGB Pushbutton	IS-L0204-C	With socket
Two LCD 36x24 RGB, Bicolor, or Monocolor Display	IS-L0251-C	With socket
Two LCD 36x24 RGB, Bicolor, or Monocolor Compact	IS-L0271-C	With socket

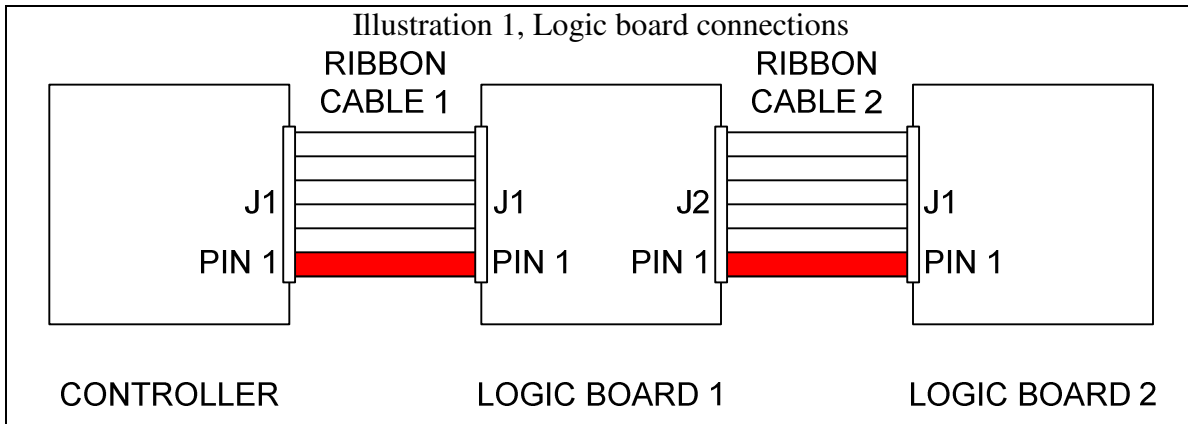
Single switch part number examples:

Not available with sockets.

SmartSwitch Configuration	Part Number	Description
Single LCD 36x24 Bicolor Pushbutton (2 bit)	IS-L0102-IS15BAFP4CF	Base part number with switches mounted directly
Single LCD 36x24 RGB Pushbutton	IS-L0107-IS15BBFP4RGB	Base part number with switches mounted directly

5. Connectors

The SmartSwitch Controller connects to the J1 of the first logic board via 14 pin ribbon cables. The J2 of the first logic board connect to J1 of the second logic board and so on.



Note: Attaching the ribbon cable without the red line on pin 1 on each of the headers may cause damage to the controller or the logic board.

The logic boards have two connectors:

J1 Input port: 7x2 male header .1"x.1" spacing.

This connector connects to the controller port or J2 of the previous logic board in the daisy chain.

Pin	Function	
1	LP	Connected to LP of smart switches and J2
2	GND	Ground
3	FLM	Connected to FLM of smart switches and J2
4	GND	Ground
5	SCP1	Connected to clock of shift register and J2
6	+9V	This will be 9V or 5 V depending on the type of LB
7	LP1	Connected to LP of LED driver and J2
8	LED disable	Connected to LED driver enable (active low)
9	SCP	Connected to SCP of smart switches and J2
10	VLC	Connected to VLC of smart switches and J2
11	Din	Connected to Din of the first smart switch
12	+9V	This will be 9V or 5 V depending on the type of LB
13	Din1	Connected to data in of the first shift register
14	SWREAD	Connected to one of the switches pin and J2

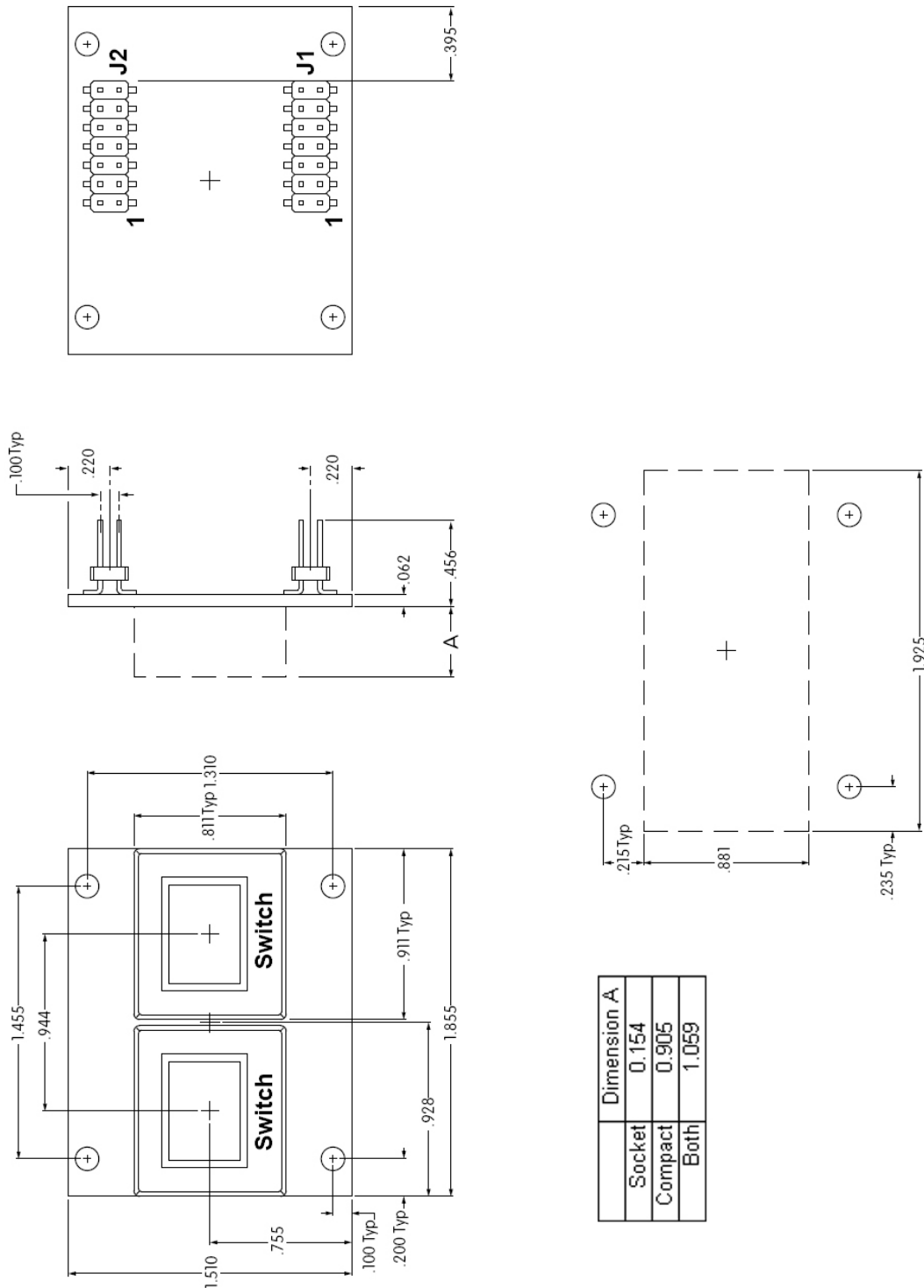
J2 Output port: 7x2 male header .1"x.1" spacing.

This connector connects to J1 of the next logic board in the daisy chain.

Pin	Function	
1	LP	Connected to Dout of the last SmartSwitch
2	GND	Connected to J1
3	FLM	Connected to J1
4	GND	Connected to J1
5	SCP1	Connected to J1
6	+9V	Connected to J1
7	LP1	Connected to J1
8	LED disable	Connected to J1
9	SCP	Connected to J1
10	VLC	Connected to J1
11	Dout	Connected to Dout of the last SmartSwitch
12	+9V	Connected to J1
13	Dout1	Connected to last shift register bit used
14	SWREAD	Connected to J1

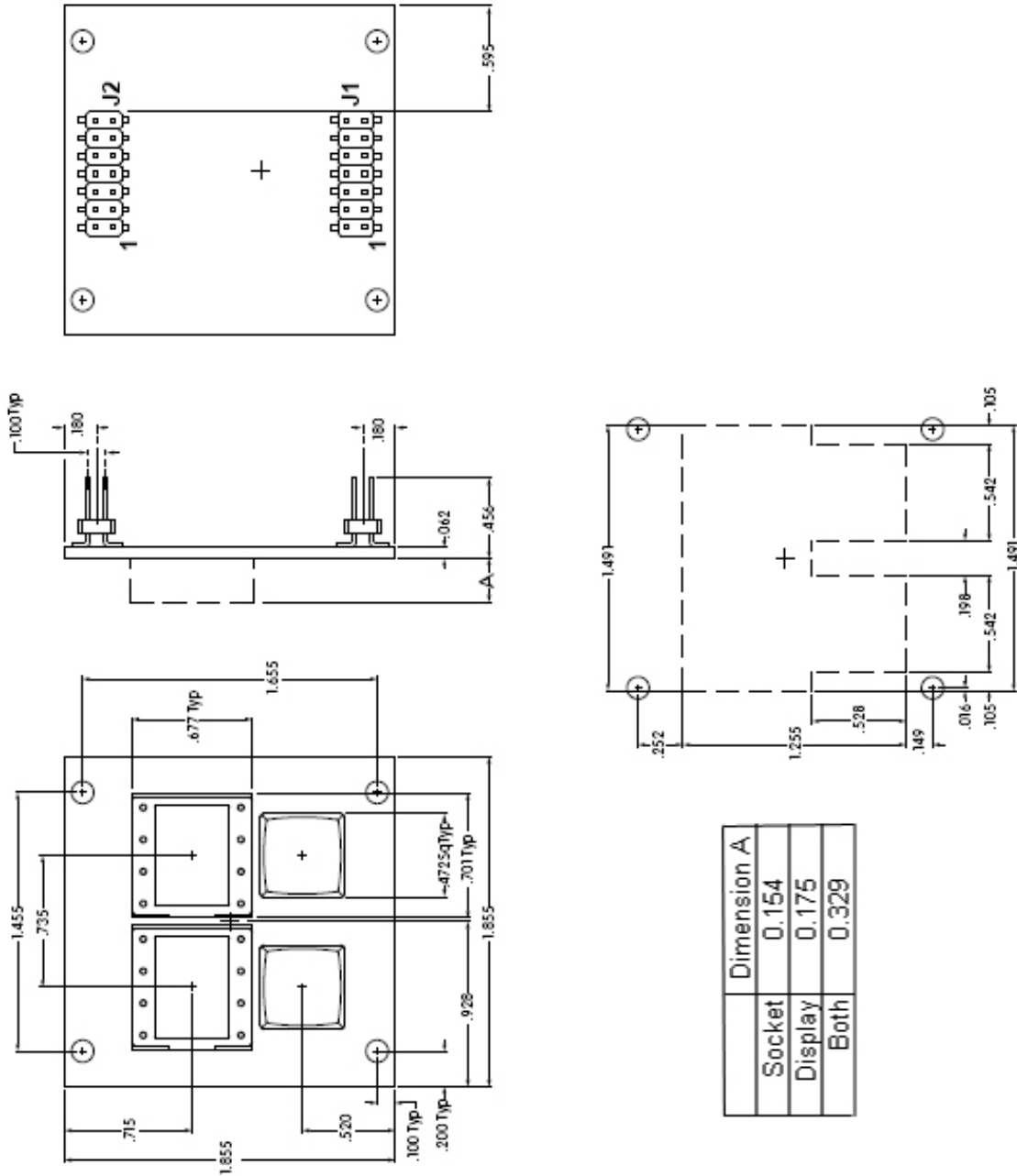
6. Board Dimensions

Logic Board Dimensions for IS-L0204 and IS-L0205:



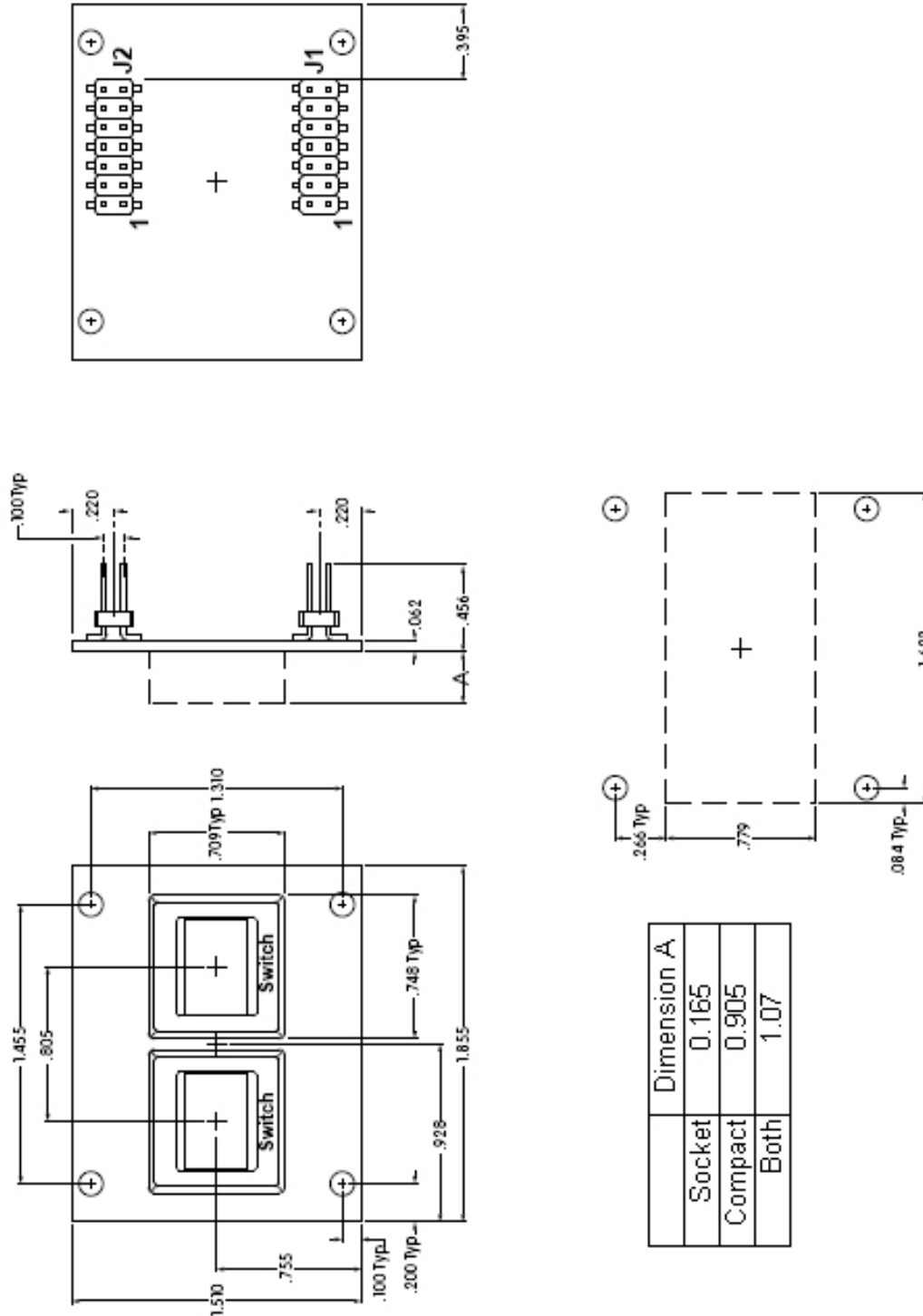
Dimension A	Socket	Compact	Both
	0.154	0.905	1.059

Logic Board Dimensions for IS-L0251:



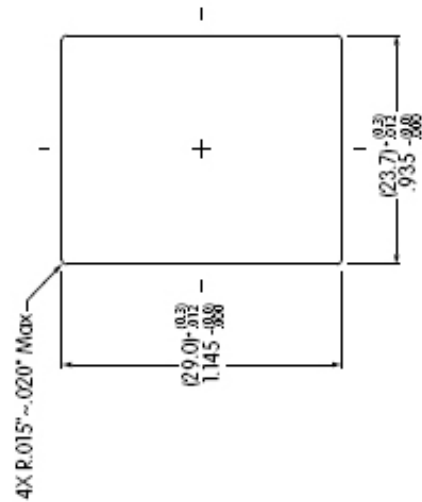
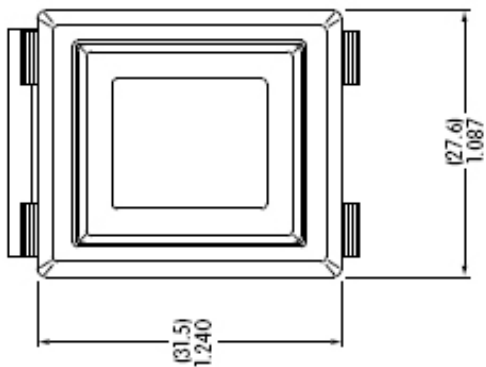
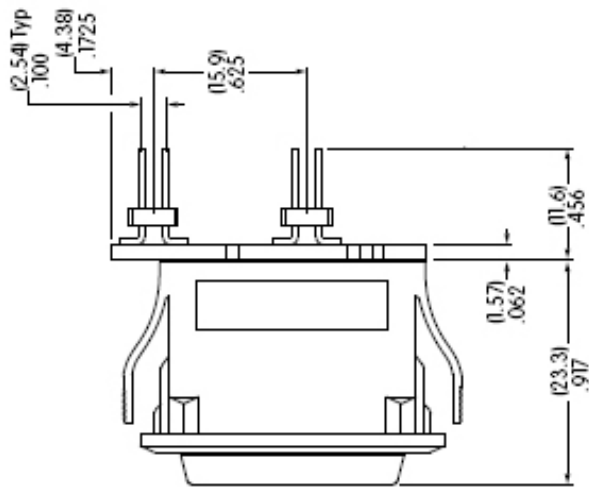
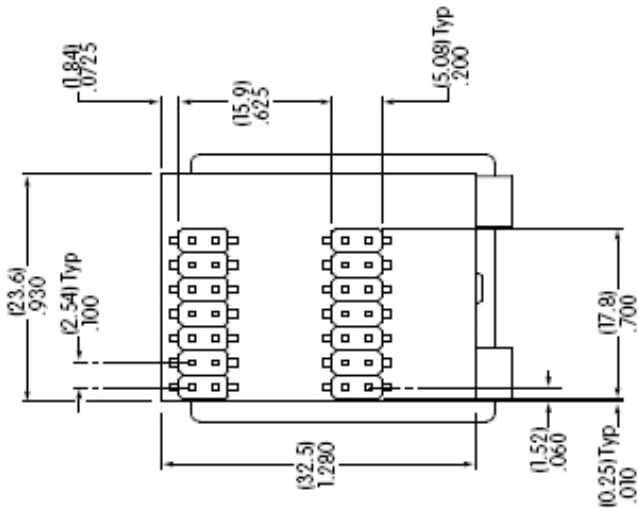
Dimension A	
Socket	0.154
Display	0.175
Both	0.329

Logic Board Dimensions for IS-L0271:



	Dimension A
Socket	0.165
Compact	0.905
Both	1.07

Logic Board Dimensions for IS-L0102-IS15BAFP4CF and IS-L0107-IS15BBFP4RGB:

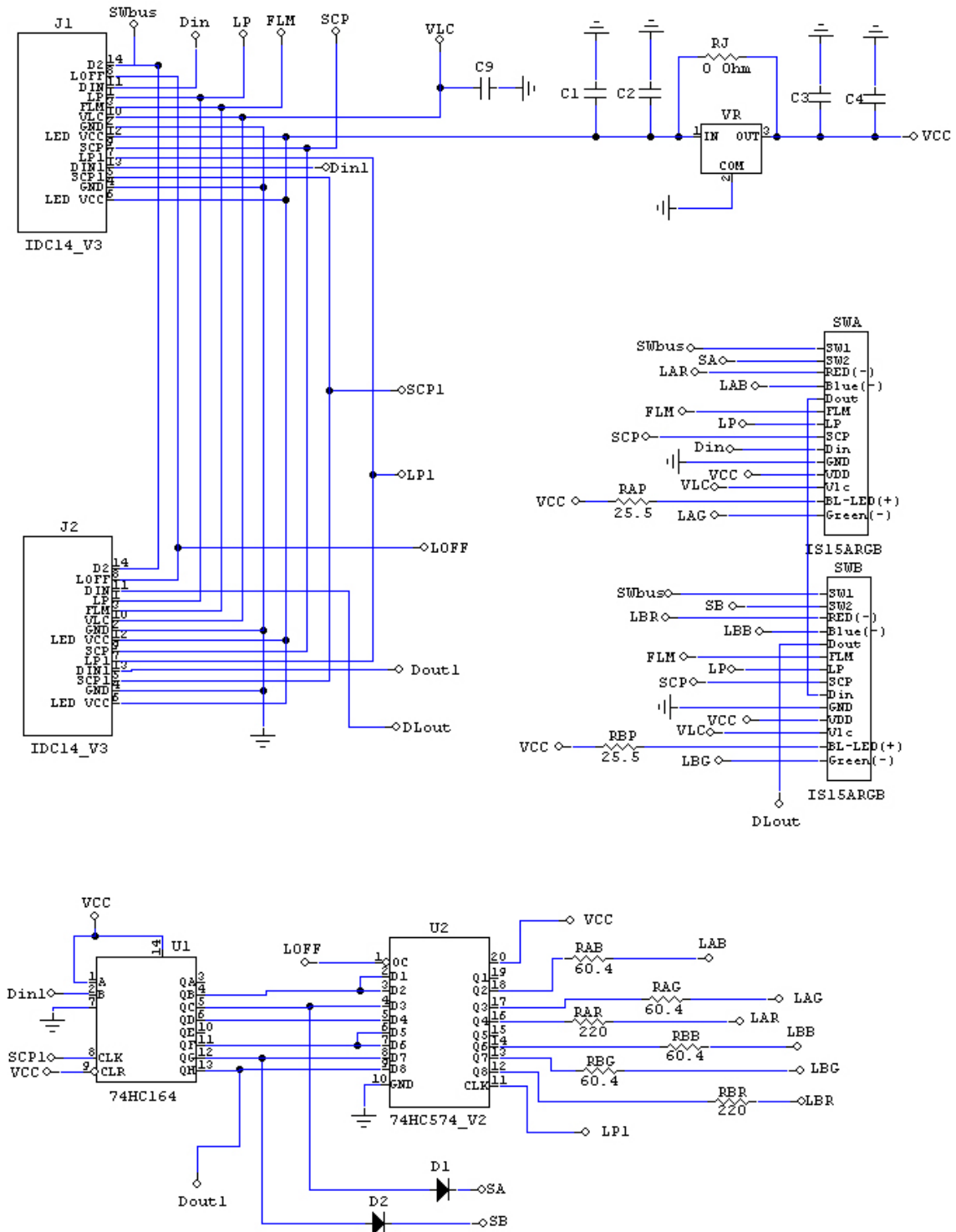


PANEL CUTOUT:

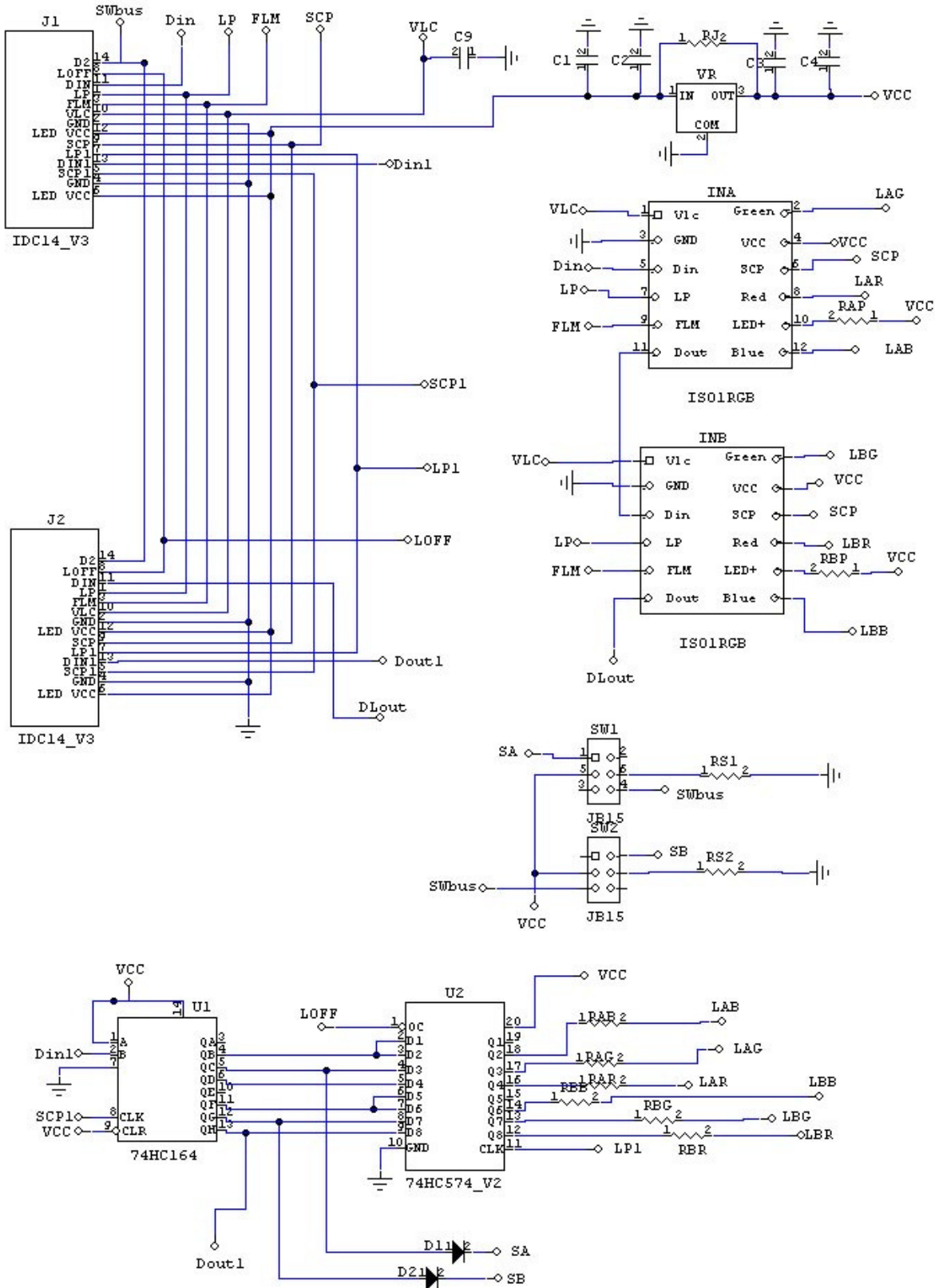
Panel Thickness
1.5mm ~ 4.0mm
(.059" ~ .157")

7. Schematics

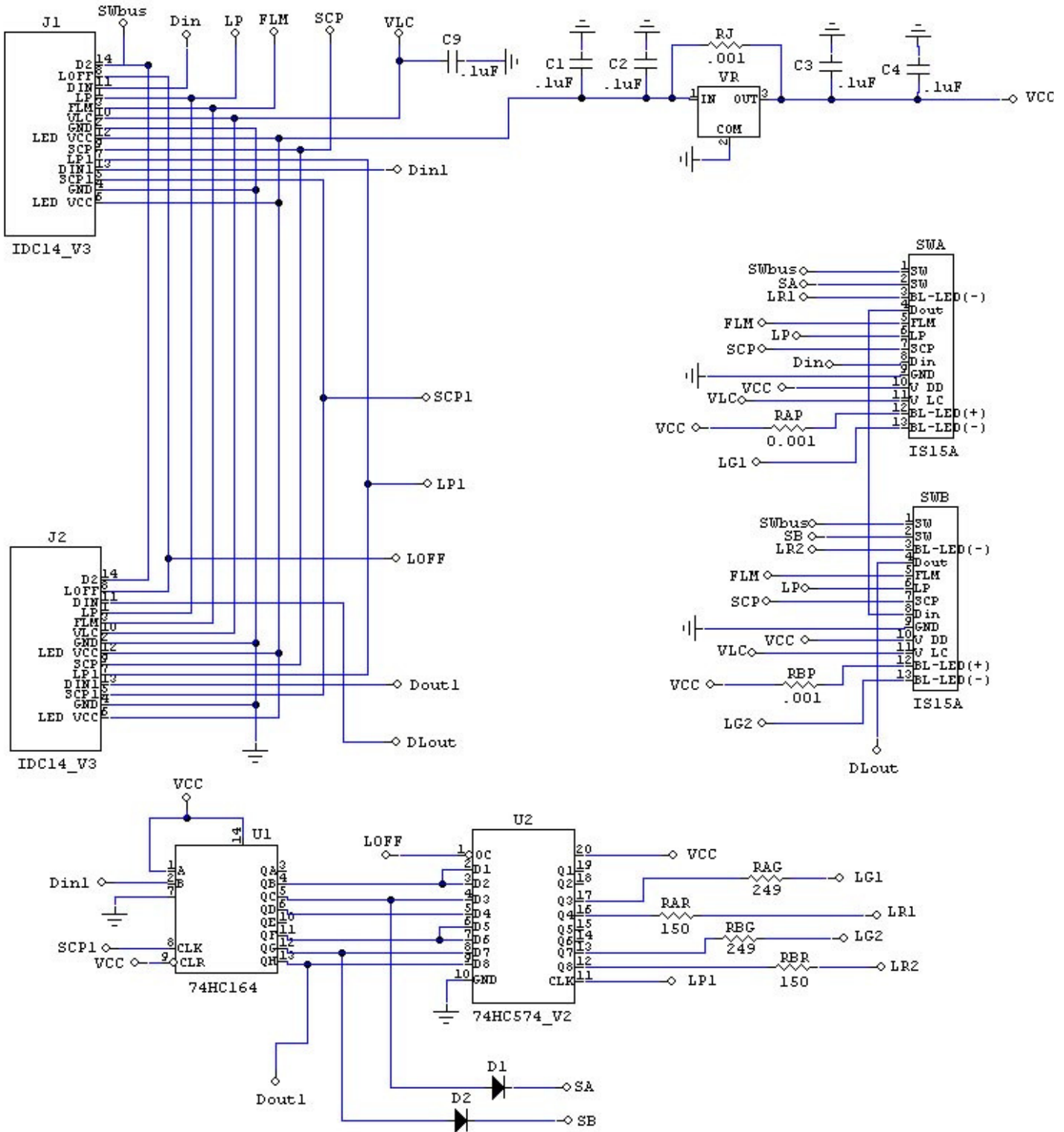
Schematic for IS-L0204 Rev A and IS-L0271 Rev A:



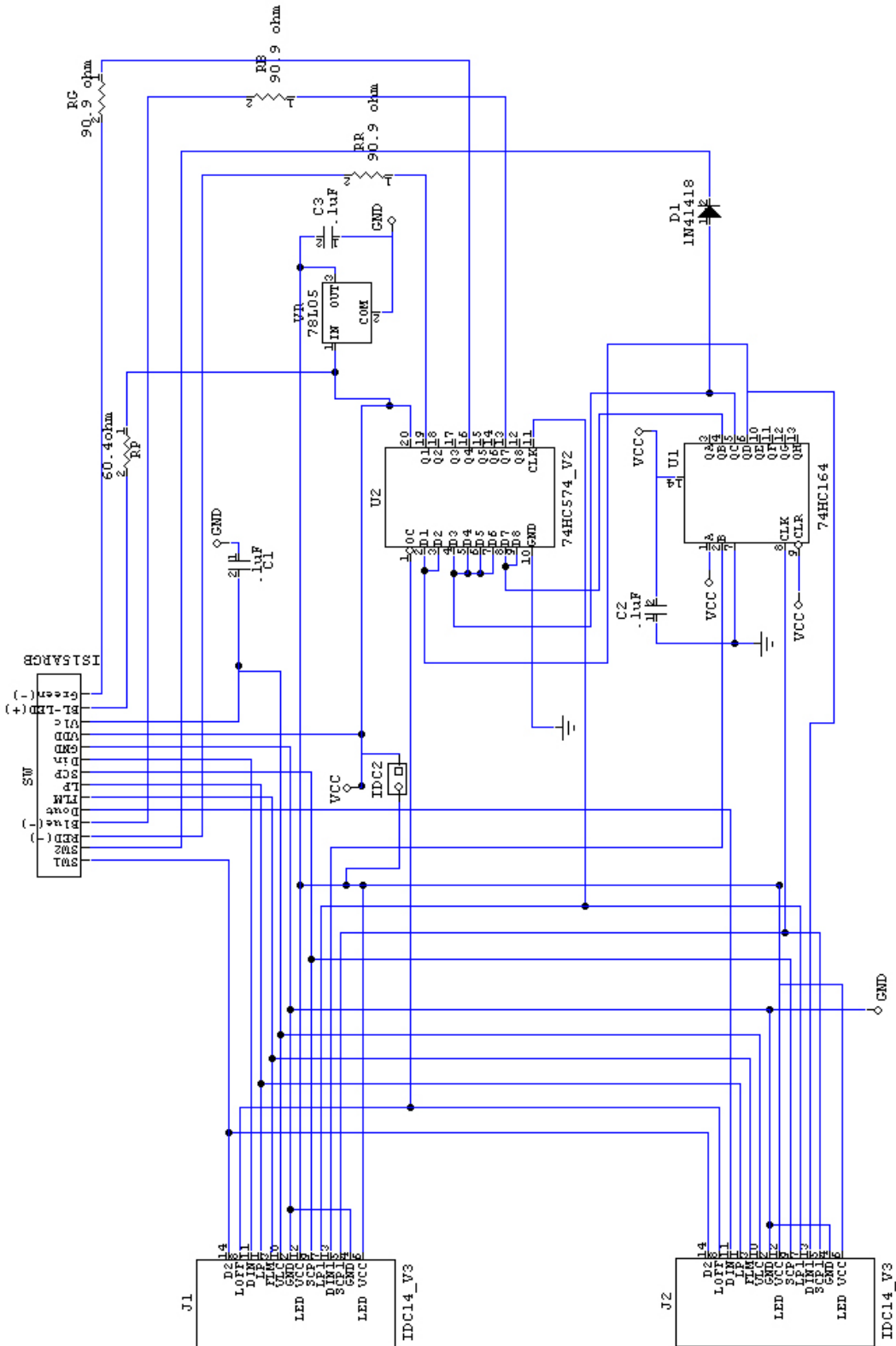
Schematic for IS-L0251 Rev A:



Schematic for IS-L0205 Rev A:



Schematic for IS-L0107-IS15BBFP4RGB Rev A:



8. Key Terms & Definitions

Module	NKK Switches' LCD SmartSwitches and SmartDisplays.
Host	Any computer, terminal, or other device that can communicate over the USB line.
Controller	A PCB assembly that controls one or more logic boards and the switches associated with them. It communicates with a host over the USB line.
Logic Board	A PCB assembly with “glue logic” for mounting switches. It is controlled by a controller.
Byte	An eight-bit hex value ranging from 00H to FFH (Decimal 0 to 255). The bit format of a byte is: (B7 B6 B5 B4 B3 B2 B1 B0) where B7 is most significant and bit B0 is least significant bit.
Nibble/Hex digit	A four-bit value ranging from 0H to FH. A byte consists of two nibbles.
ASCII	A byte value representing a symbol.
Communication Format	<p>There are two formats to transmit a byte:</p> <ol style="list-style-type: none">Hex format - A hex byte is transmitted without any change to it. [xxH] will be used to denote this. All commands and some data are sent by using this format.ASCII HEX format - Each nibble of the byte is converted to ASCII code and sent as a byte. [xxAH] will be used to denote this. For example, the hex byte 5AH is transmitted in two bytes, 35H and 41H. The ASCII value for 5 is 35H and the ASCII value for A is 41H. All addresses and most data are sent using this format.
Address	A one byte value ranging from 01H to FFH representing the 255 memory.