

# NIKK SWITCHES



RELIABLE SWITCH  
SOLUTIONS FOR THE  
**MEDICAL  
INDUSTRY**

## Switches for Medical Applications

NKK provides reliable switch solutions for the medical industry. As our population worldwide continues to grow, and age, the emphasis on improvements in medical technology and the evolution of medical equipment to support a healthy lifestyle are more important than ever. NKK products meet stringent medical guidelines for electrical equipment.

For high-performance, high-quality medical equipment to perform to its full potential, accurate and reliable ON/OFF control functionality is crucial. Each NKK part is backed by the advanced precision and experience gained as a leading company in the electromechanical industry for more than 70 years.

NKK is proud to provide not only trusted switch solutions, but also peace of mind for equipment manufacturers, healthcare professionals and patients alike.

NKK offers a variety of high quality, reliable products to meet the demands of the medical industry. All NKK products are designed and produced in-house and comply with the following standards and approvals:

All products compliant

- RoHS and REACH
- PFOS and PFOA Free
- DMF Free
- Ozone Depleting Chemical Free
- Conflict Free Materials

Standards include:

UL, CSA, IEC, VDE, ISO



## NKK Products Used in Medical Electrical Equipment Meet IEC 60601-1 Edition 3.1

JP Series Pushbutton and JW Series Rocker switches are power supply switches that fulfill requirements of IEC 60601-1 Edition 3.1 Technical Standards for the safety and reliability of medical electrical equipment, published by the International Electrotechnical Commission (IEC).

The requirements of the power switch for the IEC 60601-1 Ed. 3.1 are specified in Chapter 7 regarding the indications, display, and text for ME equipment, and in Chapter 8 regarding protection against electrical hazards from ME equipment. The main requirements are listed below.

- \* 7.4 Control and meter display    7.4.1 Power switch “ON”/“OFF” position indication
- \* 8.11.1 Isolation from SUPPLY MAINS

- a) Isolate ME equipment’s circuits electrically from main power supply on all poles simultaneously.
- c) Creepage distance and clearance (point of contact = 3mm or greater) that meets the requirements detailed in IEC 61058-1 for carrying 4kV power voltage (for locations less than 2,000 meters above sea level).

NKK’s JP Series molded pushbuttons and JW Series molded rockers are power switches that fulfill the above requirements under conditions outlined below.

This document presents power switches that are able to meet requirements of IEC 60601-1 Ed. 3.1 8.11.1, which is related to methods for isolation from the SUPPLY MAINS (commercial). Using these switches for any purpose other than isolation from the SUPPLY MAINS (commercial) may result in not fulfilling the standard requirements. For example, rocker switches with the “I - O” indication on it cannot be used as a secondary switch since “I - O” represents isolation from the SUPPLY MAINS (commercial).

The switches presented on this document have been VDE approved (VDE with IEC 61058-1, normal gap), to conform to IEC 61058-2000 (Switches for Appliances, Part 1: General Appliances) which is the reference standard of IEC 60601-1 Ed. 3.1.

VDE certified switches have a rated impulse voltage of 2.5kV.

For IEC 61058-1, equipment switches are generally classified as overvoltage category II, and the maximum value of that category is 2.5kV. Note that the products listed in this document are certified with that value.

IEC 60601-1 requires certification by rated voltage of 4kV. This should be certified by the finished equipment in which the switches presented in this document are installed. Contact NKK Switches if further information is required, such as spatial distance or insulation distance.

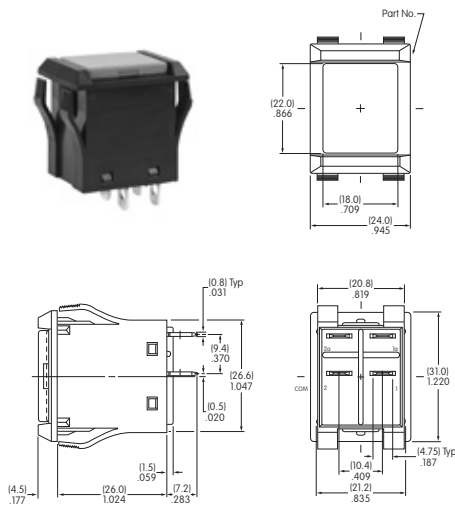
For switches with VDE approval that are certified as conforming to IEC 61058-1, it is usually not required to present detailed documents about the switch when taking

the ME equipment certification exam. However, on rare occasions, detailed documents are requested as well as the disassembly and measurement of the switch itself. (If detailed documents are required, please contact the NKK Switches sales department.)

When equipping an NKK Switches product to ME equipment, contact our sales department to discuss the intended use of the product. Request the specifications document and use the product within its capacity and ability. When equipping a product, follow the designated method in the NKK Switches specification document and fulfill all requirements in IEC 60601-1 Ed. 3.1. In the event of a breakdown, follow the requirements in IEC 60601-1 Ed. 3.1 to safely resolve the issue.

This guide contains a collection of relevant information based on the laws, regulations, and standard specifications as of June 2018. NKK Switches has carefully checked the contents of this guide. However, NKK Switches cannot guarantee its accuracy and is not to be held responsible for any inaccuracies. We ask that you check the original documents establishing the laws, regulations and standards, and act in accordance with them. NKK Switches may also update the contents of this guide without notice.

## JPM Series



Part Number	Pole/Circuit	Rating	Actuator	Housing
JPM26B	DPST ON-OFF	10A @ 125/250V AC	*Cap	Barrier Flange
JPM26P	Latchdown		Plunger	Flat Flange
*Cap Colors and Codes A Black B Ivory C Red H Gray				

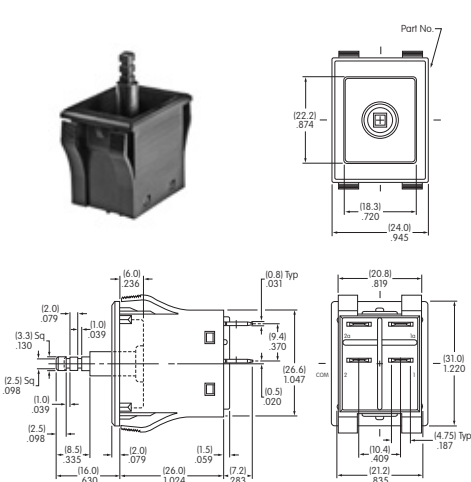
Certifications	VDE	EN 61058 - 1 (CLASS II) 5A / 80A 250V ~ 10 (6) / 250V
	UL	TV Rating (120V): TV-5 UL File E44145
	C-UL	TV Rating (120V): TV-5 UL File E44145
	CSA	TV Rating (120V): TV-5 CSA File LR23535

- Switches are supplied without UL & VDE markings unless specified.
- UL recognized only when ordered with marking on the switch.
- VDE approved only when ordered with marking on the switch.
- The rated value of the switch may differ from the rated value of the certified standard.

Panel cutout: 21.2mm x 28.0mm (.835" x 1.102")	Panel thickness: 1.0mm ~ 4.0mm (.039" x .157")
--	--

Note: JPM series does not have ON/OFF indication symbols. However, it is available with the symbols as a custom order.

## JPL Series



Part Number	Pole/Circuit	Rating	Actuator	Housing
JPL26B	DPST ON-OFF	16A @ 125/250V AC	*Cap	Barrier Flange
JPL26P	Latchdown		Plunger	Flat Flange
*Cap Colors and Codes A Black B Ivory C Red H Gray				

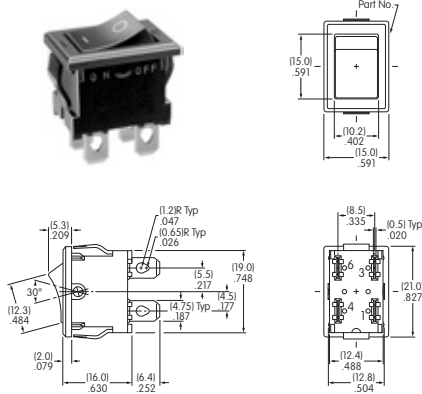
Certifications	VDE	EN 61058 - 1 (CLASS II) 8A / 128A 250V ~ 16 (8) 250V
	UL	TV Rating (120V): TV-8 UL File E44145
	C-UL	TV Rating (120V): TV-8 UL File E44145

- Switches are supplied without UL & VDE markings unless specified.
- UL recognized only when ordered with marking on the switch.
- VDE approved only when ordered with marking on the switch.
- The rated value of the switch may differ from the rated value of the certified standard.

Panel cutout: 21.2mm x 28.0mm (.835" x 1.102")	Panel thickness: 1.0mm ~ 4.0mm (.039" x .157")
--	--

Note: JPL series does not have ON/OFF indication symbols. To fulfill IEC 60601-1 Ed. 3.1, 7.4.1, JPL would need to combine with an external actuator with the symbols.

## JWS Series



Part Number	Pole/Circuit/Rating	Cap Color Code		Housing Code		On and Off Inscription
		Cap Color	Code	Housing	Code	
JWS21RAA-J2D	DPST ON-OFF 10A @ 125V AC 10A @ 250V AC	Black	A	Black	A	Horizontal   ○
JWS21RBA-J2D		Ivory	B	Black	A	
JWS21RBB-J2D		Ivory	B	Ivory	B	Vertical — ○
JWS21RAA-J8L		Black	A	Black	A	
JWS21RBA-J8L		Ivory	B	Black	A	
JWS21RBB-J8L		Ivory	B	Ivory	B	

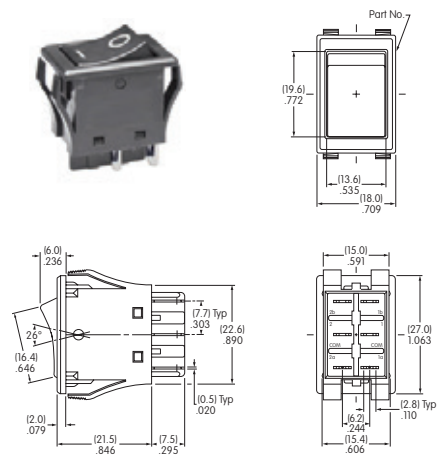
Certifications	VDE	EN 61058-1 (CLASS II) 5A / 80A 250V ~ 10 (6) / 250V
	UL	UL 1054 Current capacity: 6A 125V AC, 6A 250V AC UL File E44145
	C-UL	CSA C 22.2 No.55 equivalent current capacity: 6A 125V AC, 6A 250V AC UL File E44145

- Approvals are displayed on the product.
- Rated value of the switch differs from the rated value of the certified standard.

Panel cutout: 12.9mm x 19.2mm (.508" x .756")	Panel thickness no barrier: 0.75mm ~ 2.0mm (.030" ~ .079") Panel thickness with barrier: 0.6mm ~ 1.5mm (.024" ~ .059")
--	---

Part numbers listed above are custom numbers. Contact NKK Switches to order.

## JWM Series



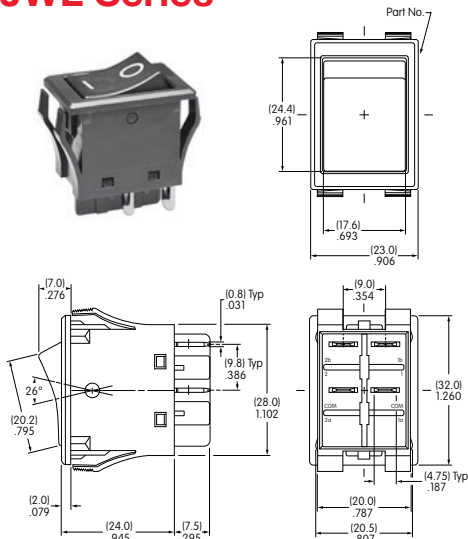
Part Number	Pole/Circuit/Rating	Cap Color Code		Housing Code		On and Off Inscription
		Cap Color	Code	Housing	Code	
JWM21RA1A	DPST ON-OFF 10A @ 125V AC 10A @ 250V AC	Black	A	Black	A	○
JWM21RB1A		Ivory	B	Black	A	
JWM21RB1B		Ivory	B	Ivory	B	
JWM21RB1H		Ivory	B	Gray	H	
JWM21RH1A		Gray	H	Black	A	
JWM21RH1H		Gray	H	Gray	H	

Certifications	VDE	EN 61058-1 (CLASS II) 5A / 80A 250V ~ 10 (6) / 250V
	UL	UL 61058 Current capacity: 10A 250V AC TV rating (120V): TV-5 UL File E44145

- Approvals are displayed on the product.
- Rated value of the switch differs from the rated value of the certified standard.

Panel cutout: 15.4mm x 24.0mm (.606" x .945")	Panel thickness no barrier: 1.0mm ~ 4.0mm (.039" ~ .157") Panel thickness with barrier: 0.6mm ~ 3.2mm (.024" ~ .126")
--	--

## JWL Series






Part Number	Pole/Circuit/Rating	Cap Color Code		Housing Code		On and Off Inscription
		Cap Color	Code	Housing	Code	
JWL21RA1A	DPST ON-OFF 16A @ 125V AC 16A @ 250V AC	Black	A	Black	A	○
JWL21RB1A		Ivory	B	Black	A	
JWL21RB1B		Ivory	B	Ivory	B	
JWL21RB1H		Ivory	B	Gray	H	
JWL21RH1A		Gray	H	Black	A	
JWL21RH1H		Gray	H	Gray	H	

Certifications	VDE	EN 61058-1 (CLASS II) 8A / 128A 250V ~ 16 (8) / 250V
	UL	UL 61058 current capacity: 16A 250V AC TV rating (120V): TV-8 UL File E44145

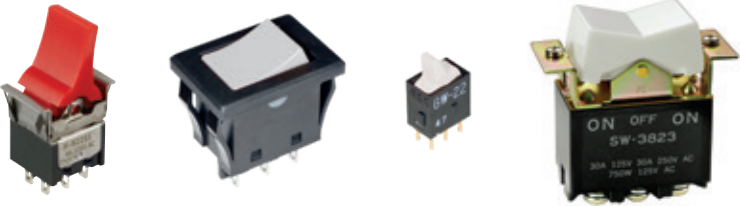


- Approvals are displayed on the product.
- Rated value of the switch differs from the rated value of the certified standard.

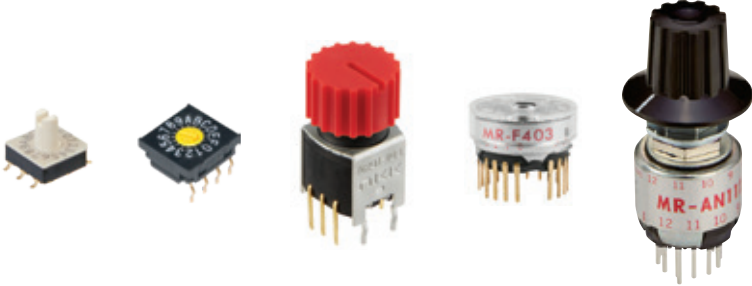
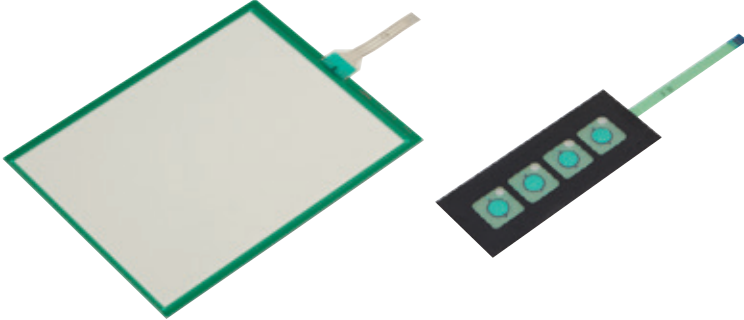

Panel cutout: 20.5mm x 29.5mm (.807" x 1.161")	Panel thickness no barrier: 1.0mm ~ 4.0mm (.039" ~ .157") Panel thickness with barrier: 0.6mm ~ 3.2mm (.024" ~ .126")
---	--

**NKK Product Overview**

<p>Images are for reference only. For complete information, see NKK Switches full line product catalog.</p>	<p><b>Electrical Rating</b></p>	<p><b>IP Rating</b></p>	<p><b>Size</b></p>	<p><b>Product Series</b></p>
<p><b>SMARTDISPLAY™ Product Line with Programmable Display</b></p>  <p>Programmable, illuminated display provides clear, crisp visibility in various medical treatment settings. Programmable flexibility for a multitude of options.</p>	<p>Pushbutton: 100mA @ 12V DC  Rocker: 3VA max DC</p>	<p><b>IP64</b>  (OLED Rocker)</p>	<p>Compact to Standard</p>	<p>IS</p>
<p><b>Pushbuttons – Illuminated and Nonilluminated</b></p>  <p>Crisp actuation and brilliant LED illumination options available in an array of colors. Industry-leading color matching technology combined with high reliability well suited for many medical applications.</p>	<p>Logic Level to 16A</p>	<p><b>IP65</b> <b>IP67</b>  Available; Environmentally Sealed Option</p>	<p>Subminiature to Standard</p>	<p>AB, BB, EB, FB, GB, GB2, G3B, HB, HB2, JP, KP, LB, LP01, M2B, MBN, MBNR, SB, UB, UB2, WB, YB, YB2</p>
<p><b>Toggles – Illuminated and Nonilluminated</b></p>  <p>High quality and dependability. Fully illuminated and LED-tipped illuminated versions available in a range of colors. Designed to perform and withstand extreme environments for critical applications.</p>	<p>Logic Level to 30A</p>	<p><b>IP65</b> <b>IP68</b>  Available; Environmentally Sealed Option</p>	<p>Subminiature to Standard</p>	<p>A, B, G, G3T, MN, MNL, S, WT</p>

## NKK Product Overview

<p>Images are for reference only. For complete information, see NKK Switches full line product catalog.</p>	<p><b>Electrical Rating</b></p>	<p><b>IP Rating</b></p>	<p><b>Size</b></p>	<p><b>Product Series</b></p>
<p><b>Rockers – Illuminated and Nonilluminated</b></p>  <p>Power level, IP-rated, process-sealed versions available in various mounting and termination styles to accommodate a wide range of medical applications. Brilliant LED illumination options available to customize.</p>	<p>Logic Level to 30A</p>	<p><b>IP65</b> <b>IP67</b></p> <p>Available; Environmentally Sealed Option</p>	<p>Subminiature to Standard</p>	<p>A, CW, G, GW, JW, JWS, LV, MN, MNL, SW, WR</p>
<p><b>Slides – Illuminated and Nonilluminated</b></p>  <p>Award-winning STC contact mechanism with benefits available in conventional mechanisms: smoother, positive detent actuation, increased contact stability and unparalleled logic-level reliability. SMT options.</p>	<p>Logic Level to 6A</p>		<p>Subminiature to Miniature</p>	<p>AS, CS, FS, JS, MSN, SM, SS, SS3</p>
<p><b>Tactiles – Illuminated and Nonilluminated</b></p>  <p>Specially process-sealed construction prevents contact contamination and allows for automated wave soldering and cleaning. Crisp tactile feedback to positively indicate circuit transfer. SMT options.</p>	<p>Logic Level to 125mA @ 24V DC</p>		<p>Subminiature to Miniature</p>	<p>CB, CB3, HP02, HP03, JB, JF, JL</p>

<p>Images are for reference only. For complete information, see NKK Switches full line product catalog.</p>	<p><b>Electrical Rating</b></p>	<p><b>IP Rating</b></p>	<p><b>Size</b></p>	<p><b>Product Series</b></p>
<p><b>Rotaries</b></p>  <p>A comprehensive line of rotaries meets a variety of applications, including 7.2 or 7.7mm square DIP switches, half-inch diameter process-sealed models, power level devices. A variety of knobs and caps available.</p>	<p>Logic Level to 10A</p>	<p><b>IP67</b> Options Available</p>	<p>Ultra-miniature to Miniature</p>	<p>FD01, FD02, FR01, FR02, MR, MRB, NR01</p>
<p><b>Touch Screens and Membranes</b></p>  <p>Multi-touch technology resistive touch screens well suited for gloved-hand medical environments. Membrane switch keypads with crisp, tactile feel to ensure clear feedback in critical applications.</p>	<p>Touch Screens: 5-wire resistive 5.5V DC 4-Wire Resistive &amp; Digital 1mA @ 5V DC</p> <p>Membranes: 20mA @ 24V DC</p>		<p>Touch Screens: 5.7" to 19"</p> <p>Membranes: 4-, 12- and 16-Key Illuminated or Nonilluminated</p>	<p>FT, TP02, ZE (Touch Screens); FM (Membrane)</p>
<p><b>Keylocks and Tilt Switches</b></p>  <p>Five types of keylocks for a range of security needs, from antistatic process-sealed subminiature to high-security standard size options. Mercury-free tilt switches constructed with metallic ball contacts or photo interrupter.</p>	<p>Keylocks: Logic Level to 3A</p> <p>Tilt: 0.1A @ 12V DC; 5V Photo Interrupter</p>		<p>Keylocks: Subminiature to Standard</p> <p>Tilt: Miniature, Subminiature</p>	<p>Keylocks: CK, SK</p> <p>Tilt: DSA, DSB</p>

## Medical Application Examples

### X-RAY / MEDICAL IMAGING / ULTRASOUND



JP PUSHBUTTON



UB PUSHBUTTON



UB2 PUSHBUTTON



JW ROCKER



YB PUSHBUTTON

### TREATMENT TOOLS / MACHINES



CWSB ROCKER



SMARTDISPLAY



LP01 PUSHBUTTON



CK KEYLOCK



JW ROCKER

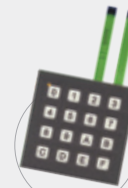


JP PUSHBUTTON

### PATIENT MONITORS



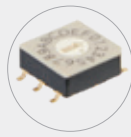
LB PUSHBUTTON



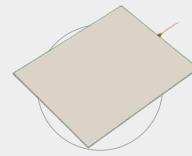
FM MEMBRANE



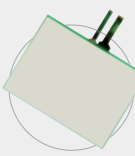
YB2 PUSHBUTTON



FD02 ROTARY



TP02 TOUCH SCREEN



ZE TOUCH SCREEN



**MEASURING EQUIPMENT / METERS**



LP01 PUSHBUTTON



YB2 PUSHBUTTON



MRK ROTARY



JW ROCKER

**DENTAL EQUIPMENT / CHAIRS**



JP PUSHBUTTON



M TOGGLE



LW ROCKER



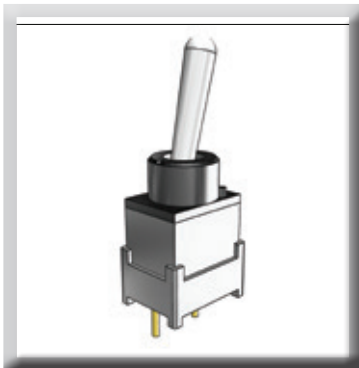
LB PUSHBUTTON



CK KEYLOCK

**3D CAD Models**

NKK's website, [www.nkkswitches.com](http://www.nkkswitches.com), features 600,000+ downloadable CAD models in over 100 file formats.



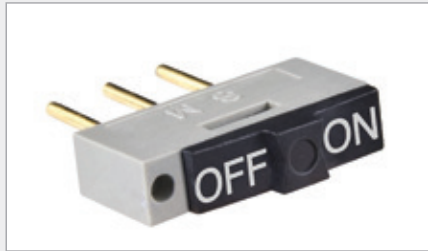
## Custom Switches and Value Added Capabilities

NKK offers a full suite of customizable solutions and value added services. Our expert team of engineers can assist in designing the perfect solution.

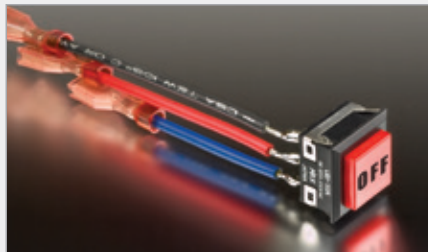
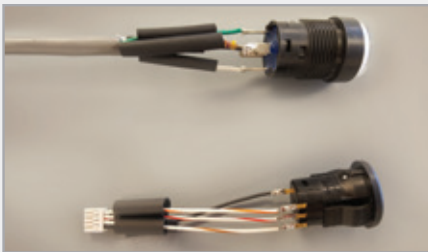
### CUSTOM SWITCHES Customization for Caps | Actuators | Terminals | Housing



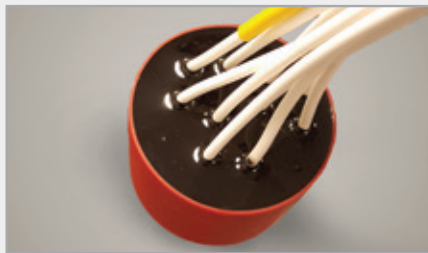
### PRINTING Screen Printing | Pad Printing | Laser Etching



### ASSEMBLY Electronic Assembly | Mechanical Assembly | Electromechanical Assembly



### ADDED VALUE Machining of Parts | Sheet Metal Work | Coatings | Engineering Services



# Available Worldwide

## Over 70 Years of Engineering & Manufacturing Excellence



---

### **NKK SWITCHES OF AMERICA, INC.**

Tel: 1 480 991 0942 Fax: 1 480 998 1435

[www.nkkswitches.com](http://www.nkkswitches.com) Email: [customerservice@nkkswitches.com](mailto:customerservice@nkkswitches.com)

#### **Global Offices**

##### **NKK Corporate Headquarters**

##### **Japan**

**NKK SWITCHES CO., LTD.**

Tel: 81 44 813 8001 Fax: 81 44 813 8031

[www.nkkswitches.co.jp](http://www.nkkswitches.co.jp) Email: [nkkswitches@nkkswitches.co.jp](mailto:nkkswitches@nkkswitches.co.jp)

##### **Europe**

**NKK SWITCHES EUROPE GMBH**

Alfred-Herrhausen-Allee 3-5, 65760 Eschborn, Germany

Tel: 49 61 96 400 189

[www.nkkswitches.eu](http://www.nkkswitches.eu) Email: [contact@nkkswitches.eu](mailto:contact@nkkswitches.eu)

##### **Asia**

**NKK SWITCHES HONG KONG CO., LTD.**

Tel: 852 2366 6634 Fax: 852 2366 6803

[www.nkkswitches.com.hk](http://www.nkkswitches.com.hk) Email: [info@nkkswitches.com.hk](mailto:info@nkkswitches.com.hk)

##### **China**

**NKK SWITCHES CHINA CO., LTD.**

Tel: 86 21 6249 6574 Fax: 86 21 6248 3375

[www.nkkswitches.com.cn](http://www.nkkswitches.com.cn) Email: [info@nkkswitches.com.cn](mailto:info@nkkswitches.com.cn)



**NKK SWITCHES OF AMERICA, INC.**

7850 East Gelding Drive  
Scottsdale, Arizona 85260  
Phone 480.991.0942 / Toll-Free 1.877.228.9655  
[www.nkkswitches.com](http://www.nkkswitches.com)

Scan the QR code  
for NKK Switches'  
accompanying MEDICAL  
ELECTRICAL EQUIPMENT  
TECHNICAL REFERENCE

