

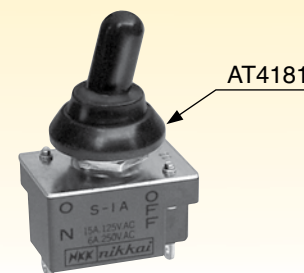
Change Notice

AT4181

Change of Material of Rubber O-ring

Type of Change:

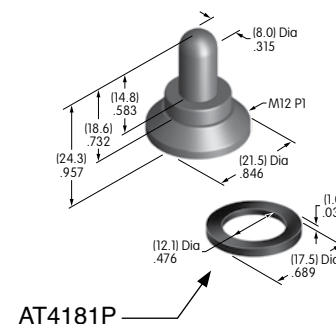
- Engineering Part Number
 Product Appearance



Example

The material of the rubber o-ring (AT4181P) in the Splashproof Boot will change.

See table below for switch series that are compatible with this Boot.



AT4181P

AT4181 consists of three separate parts, AT4181A (Boot), AT401N (Nut) & AT4181P (O-ring)

Material of Rubber O-ring	
Before Change	After Change
Natural rubber	NBR

Series or Part Numbers	Panel Thickness (Maximum)
<ul style="list-style-type: none"> M Series B2 Toggles with 12mm B1 & B3 Bushings P Series B Toggles with 12mm Bushing S31 ~ 39, S41 ~ 49, S31F ~ 33F, S41F ~ S43F, S31T ~ 33T, S41T ~ 43T S301 ~ 309, S331 ~ 339, S301F, S331F ~ 333F, S335F, S301T ~ 309T, S331T ~ 339T S421 ~ 429, S421T ~ 429T 	5.0mm (.197")
<ul style="list-style-type: none"> WT11S ~ 29S, WT11T ~ 29T, WT11L ~ 29L 	3.5mm (.138")
<ul style="list-style-type: none"> S1A ~ 7A, S21A, S1F ~ 7F, S21F S114, S116 S1AW ~ 9AW, S21AW, S25AW ~ 29AW 	3.0mm (.118")

Effective Date

Change will be effective with May 2012 production.

NIKKI
SWITCHES

www.nkkswitches.com
1.877.2BUYNKK (228.9655)

7850 East Gelding Drive • Scottsdale, AZ 85260
Telephone 480.991.0942 • Fax 480.998.1435