

Change Notice

WT Series

Changes to Lever Base, Stopper & Guide on Single Pole Models

Type of Change:

- Engineering Part Number
 Product Appearance

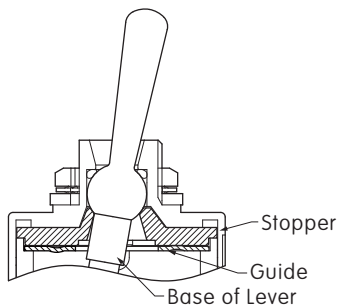
The WT Series single pole toggles will have internal changes to the base of the lever, the stopper and the guide. The stopper and guide will be constructed as a single unit. These changes will effect all single pole models, both standard and custom. The following tables illustrate the differences before and after the modifications, and the standard part numbers effected by the changes.



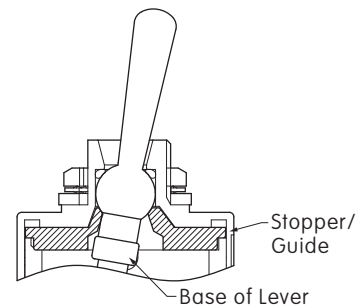
**WT Toggle
Single Pole Model**

Cross Section of Changes to WT Single Pole Toggles

Before Change



After Change



WT Toggle Part Numbers Effected by Changes to Lever, Stopper & Guide

WT11S	WT12S	WT13S	WT15S	WT18S	WT19S
WT11T	WT12T	WT13T	WT15T	WT18T	WT19T
WT11L	WT12L	WT13L	WT15L	WT18L	WT19L

Notes

WT Series double pole models are not included in these changes.
 No external specifications are effected by these changes.
 Contact factory if more details are needed.

Effective Date

Changes to CK identification labels will be effective October 2015.

NIKK
SWITCHES

<http://www.nkkswitches.com> • 1.877.2BUYNKK (228.9655)

7850 East Gelding Drive • Scottsdale, AZ 85260 • Telephone 480.991.0942 • Fax 480.998.1435