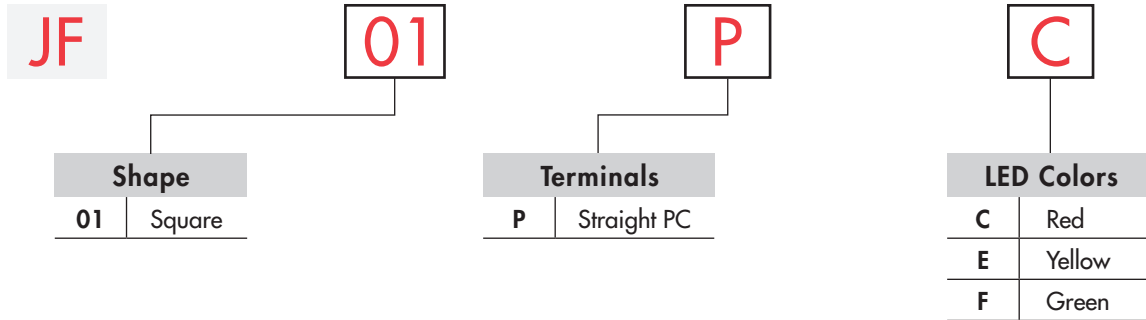
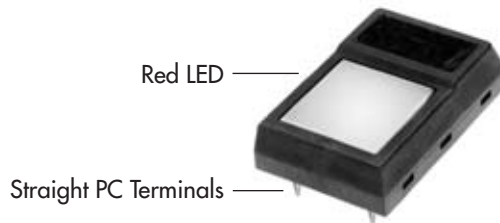


TYPICAL INDICATOR ORDERING EXAMPLE



DESCRIPTION FOR TYPICAL ORDERING EXAMPLE

JF01PC



LED COLORS & SPECIFICATIONS

LED is an integral part of the indicator and not available separately.

LED polarity markings are on the bottom of the indicator.

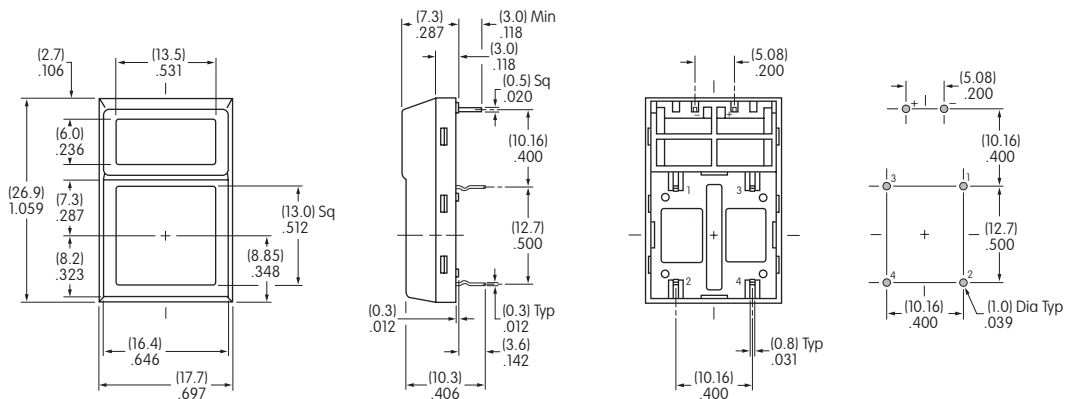
The electrical specifications shown are determined at a basic temperature of 25°C. If the source voltage exceeds the rated voltage, a ballast resistor is required.

The resistor value can be calculated by using the formula in the Supplement section.

		C	E	F
	Color	Red	Yellow	Green
Maximum Forward Current	I_{FM}	30mA	30mA	30mA
Typical Forward Current	I_F	20mA	20mA	20mA
Forward Voltage	V_F	1.77V	2.1V	2.3V
Maximum Reverse Voltage	V_{RM}	4V	4V	4V
Current Reduction Rate Above 25°C	ΔI_F	0.4mA/°C	0.4mA/°C	0.4mA/°C
Ambient Temperature Range		-25° ~ +70°C		

TYPICAL INDICATOR DIMENSIONS

Square



JF01PC