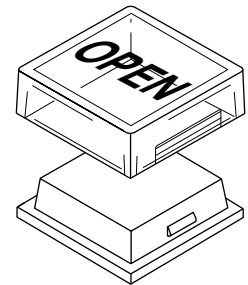
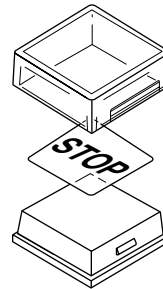
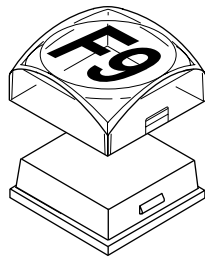
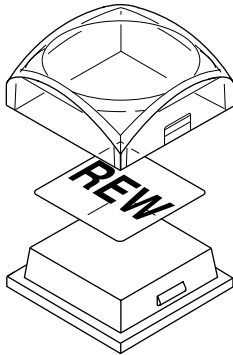


# KP01 Series Legend Packet

---



## Contents

Customer Request Form .....	KP01-2
Cap Types and Combinations .....	KP01-3
Legend Orientation .....	KP01-3
Font Styles .....	KP01-4
Helvetica Light Font Table .....	KP01-5
Helvetica Regular Font Table .....	KP01-6
Helvetica Bold Font Table .....	KP01-7
Helvetica Black Font Table .....	KP01-8
Maximum Printable Areas .....	KP01-9,10

The primary purpose of this Legend Packet is to let our customers know that NKK Switches provides full support regarding your legending requirements. The packet is designed to provide information to make your legending choices easy and concise, and to let you know that our availability can range from answering a few questions to guiding you through the entire process. Feel free to acquaint yourself with the following pages specific to your applications, then contact us and let us know how we may be of further assistance. We look forward to serving all your legending needs.



7850 East Gelding Drive • Scottsdale, Arizona 85260  
www.nkkswitches.com • Phone: 480.991.0942 • Fax: 480.998.1435

**KP01 Series Legend Instructions**

<b>1 Customer Information</b>		Today's Date
Company Name		Phone (    )
Address		Fax (    )
City	State	Zip Code
Contact Person		Email

*Important! Please complete one Request Form for each legend requested.*

<b>2 Switch</b>	
Switch Part Number	Quantity Requested
Cap Part Number	

*Refer to Legend Packet page KP01-3 if you need assistance.*




<b>3 Surface</b>
<input type="checkbox"/> Lens <input type="checkbox"/> Film Insert <input type="checkbox"/> Other (contact factory)

*See Legend Packet page KP01-3 if you need more information on printable surfaces.*

<b>4 Font Style and Size</b>
<input type="checkbox"/> Helvetica Light <input type="checkbox"/> Helvetica Regular <input type="checkbox"/> <b>Helvetica Bold</b> <input type="checkbox"/> <b>Helvetica Black</b> <input type="checkbox"/> Other Font Style (contact factory)

Font Size: \_\_\_\_\_ point

*Refer to Legend Packet pages KP01-4 through KP01-8 to determine your font style and point size.*

<b>5 Characters</b>
<div style="display: flex; justify-content: space-around;"> <div style="text-align: center;"> <p>1 line</p>  <p>Your Legend Text Here</p> <p>Sample</p> </div> <div style="text-align: center;"> <p>2 lines</p>  <p>Your Legend Text Here</p> <p>Sample</p> </div> <div style="text-align: center;"> <p>3 lines</p> <p>Not Recommended</p>  <p>Your Legend Text Here</p> <p>Sample</p> </div> </div>

**Minimum distance between characters is critical to legibility and cannot be less than .015."**

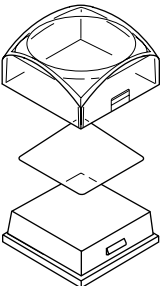
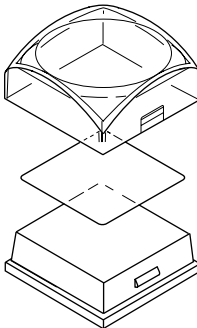
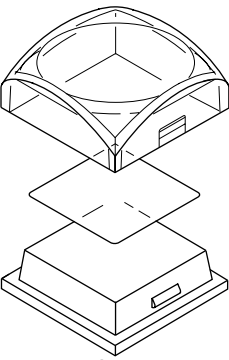
*Refer to Legend Packet pages KP01-9 ~ KP01-10 to determine your maximum printable area. Legend Packet pages KP01-4 ~ KP01-8 provide character widths and heights. Note: All legends will be centered unless otherwise indicated.*

<b>6</b>	<i>Please make your selections below by checking one box in each row.</i>			
<b>Legend Color</b>	<input type="checkbox"/> Black	<input type="checkbox"/> White	<input type="checkbox"/> Other (contact factory)	
<b>Printing Method</b>	<input type="checkbox"/> Screen Print	<input type="checkbox"/> Pad Print	<input type="checkbox"/> Laser Etch	<input type="checkbox"/> Other (contact factory)
<b>*Legend Orientation</b>	<input type="checkbox"/> P/N Left	<input type="checkbox"/> P/N Top	<input type="checkbox"/> P/N Right	<input type="checkbox"/> P/N Bottom

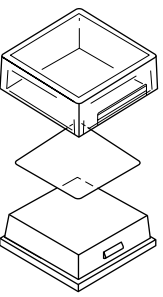
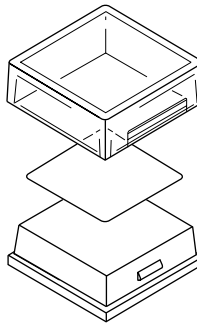
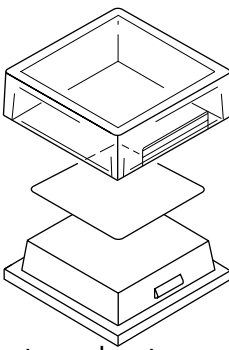
*\*See Legend Packet page KP01-3 for legend orientation specifications.*

**KP01 Series Legend Instructions**

**Sculptured Caps**

<p><b>AT3078 Sculptured Cap</b> 12.0mm/.472" Square Use with A Plunger</p>  <p>Lens Film Insert Diffuser</p> <p>Legend on Lens or Film Insert</p>	<p><b>AT3079 Sculptured Cap</b> 15.0mm/.591" Square Use with B Plunger</p>  <p>Lens Film Insert Diffuser</p> <p>Legend on Lens or Film Insert</p>	<p><b>AT3080 Sculptured Cap</b> 17.4mm/.685" Square Use with B Plunger</p>  <p>Lens Film Insert Diffuser</p> <p>Legend on Lens or Film Insert</p>
--	--	--

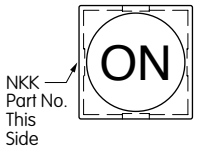
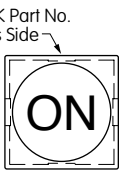
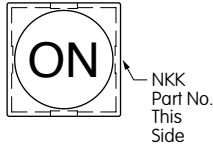
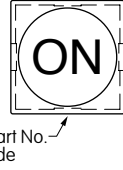
**Flat Caps**

<p><b>AT3083 Flat Cap</b> 12.0mm/.472" Square Use with A Plunger</p>  <p>Lens Film Insert Diffuser</p> <p>Legend on Lens or Film Insert</p>	<p><b>AT3084 Sculptured Cap</b> 15.0mm/.591" Square Use with B Plunger</p>  <p>Lens Film Insert Diffuser</p> <p>Legend on Lens or Film Insert</p>	<p><b>AT3085 Sculptured Cap</b> 17.4mm/.685" Square Use with B Plunger</p>  <p>Lens Film Insert Diffuser</p> <p>Legend on Lens or Film Insert</p>
---	---	---

## Legend Orientation

**KP01 Series Legend Instructions**

**Orientation of Legends on Flat or Sculptured Caps**

<p><b>1</b></p> <p>NKK Part No. Left Side</p> 	<p><b>2</b></p> <p>NKK Part No. Top</p> 
<p><b>3</b></p> <p>NKK Part No. Right Side</p> 	<p><b>4</b></p> <p>NKK Part No. Bottom</p> 

**KP01 Series Legend Instructions**

The following tables display Helvetica font styles in graduated point sizes. These tables can give you an idea at a glance which size might be most compatible for your legend. For more detailed information on each font style and individual character widths, see pages KP01-4 through KP01-8.

## HELVETICA LIGHT

Actual Font and Size	EWI	EWI	EWI	EWI	EWI	EWI	EWI	EWI	EWI	EWI	EWI	EWI
<b>Font Size in Points</b>	6	7	8	9	10	11	12	14	16	18	20	22
<b>Character Height</b>	.063"	.075"	.084"	.092"	.100"	.111"	.120"	.141"	.161"	.189"	.211"	.231"

See page KP01-2 for the Helvetica Light Font Style table.

## HELVETICA REGULAR

Actual Font and Size	EWI	EWI	EWI	EWI	EWI	EWI	EWI	EWI	EWI	EWI	EWI	EWI
<b>Font Size in Points</b>	6	7	8	9	10	11	12	14	16	18	20	22
<b>Character Height</b>	.064"	.077"	.086"	.096"	.107"	.118"	.129"	.149"	.171"	.189"	.214"	.250"

See page KP01-6 for the Helvetica Regular Font Style table.

## HELVETICA BOLD

Actual Font and Size			EWI	EWI	EWI	EWI	EWI	EWI	EWI	EWI	EWI	EWI
<b>Font Size in Points</b>	6	7	8	9	10	11	12	14	16	18	20	22
<b>Character Height</b>	n/a	n/a	.086"	.096"	.107"	.117"	.128"	.149"	.170"	.191"	.203"	.234"

See page KP01-7 for the Helvetica Bold Font Style table.

## HELVETICA BLACK

Actual Font and Size			EWI	EWI	EWI	EWI	EWI	EWI	EWI	EWI	EWI	EWI
<b>Font Size in Points</b>	6	7	8	9	10	11	12	14	16	18	20	22
<b>Character Height</b>	n/a	n/a	.084"	.095"	.106"	.116"	.126"	.149"	.169"	.189"	.211"	.229"

See page KP01-8 for the Helvetica Black Font Style table.

**Note:** Minimum distance between characters on any font style is critical to legibility and cannot be less than .015". Remember to include this dimension *between* each character width when calculating overall legend length.

## KP01 Series Legend Instructions

Actual Font and Size	EWI	EWI	EWI	EWI	EWI	EWI	EWI	EWI	EWI	EWI	EWI	EWI
Font Size in Points	6	7	8	9	10	11	12	14	16	18	20	22
Character Height	.063"	.075"	.084"	.092"	.100"	.111"	.120"	.141"	.161"	.189"	.211"	.231"
Character	Character Widths in Inches											
A	.054	.062	.071	.081	.089	.098	.107	.124	.142	.160	.178	.195
B	.044	.053	.053	.068	.075	.083	.089	.104	.117	.134	.148	.163
C	.051	.062	.070	.079	.088	.088	.104	.122	.139	.156	.174	.191
D	.050	.058	.069	.074	.083	.091	.098	.116	.131	.148	.163	.181
E	.042	.049	.055	.063	.069	.076	.076	.096	.109	.123	.137	.150
F	.038	.045	.053	.059	.064	.072	.072	.091	.102	.117	.130	.142
G	.055	.063	.072	.072	.092	.099	.109	.126	.143	.162	.180	.197
H	.048	.056	.063	.072	.079	.087	.095	.110	.125	.142	.158	.174
I	.006	.008	.009	.010	.010	.011	.012	.014	.015	.018	.020	.022
J	.033	.040	.044	.050	.056	.061	.061	.077	.088	.100	.110	.122
K	.048	.056	.063	.071	.079	.088	.088	.110	.127	.145	.159	.173
L	.037	.045	.050	.057	.064	.070	.076	.089	.102	.115	.127	.140
M	.058	.065	.077	.086	.096	.104	.114	.132	.151	.171	.189	.206
N	.049	.056	.063	.073	.079	.087	.095	.110	.126	.142	.158	.174
O	.057	.065	.076	.084	.095	.103	.113	.131	.149	.169	.188	.205
P	.043	.050	.056	.064	.070	.076	.084	.097	.112	.126	.139	.152
Q	.057	.066	.076	.085	.094	.105	.113	.131	.149	.168	.186	.206
R	.047	.052	.061	.069	.075	.083	.090	.104	.118	.134	.151	.163
S	.045	.052	.059	.069	.074	.083	.087	.102	.117	.134	.147	.161
T	.045	.051	.059	.069	.073	.082	.088	.102	.116	.133	.146	.161
U	.048	.056	.063	.069	.078	.086	.094	.109	.125	.142	.155	.170
V	.049	.055	.064	.073	.079	.089	.096	.113	.129	.146	.162	.177
W	.073	.084	.096	.109	.121	.133	.145	.168	.192	.216	.241	.264
X	.048	.056	.064	.073	.082	.089	.097	.113	.129	.147	.162	.177
Y	.050	.058	.066	.074	.083	.090	.097	.115	.131	.147	.163	.181
Z	.047	.053	.062	.070	.077	.077	.092	.108	.122	.138	.153	.168
1	.022	.023	.028	.031	.036	.038	.042	.049	.055	.062	.069	.078
2	.041	.047	.053	.059	.065	.072	.078	.093	.105	.117	.131	.145
3	.041	.048	.054	.060	.067	.067	.080	.094	.107	.120	.133	.147
4	.041	.048	.054	.060	.068	.068	.082	.095	.108	.122	.134	.149
5	.040	.046	.053	.059	.067	.073	.079	.092	.105	.118	.131	.145
6	.040	.046	.054	.060	.066	.073	.081	.093	.104	.119	.132	.146
7	.038	.044	.051	.057	.063	.069	.075	.089	.101	.113	.125	.138
8	.040	.046	.052	.060	.060	.072	.078	.092	.106	.117	.131	.144
9	.040	.047	.054	.060	.066	.073	.080	.093	.106	.119	.133	.146
0	.040	.048	.054	.060	.067	.074	.080	.093	.107	.120	.133	.147
.	.005	.007	.008	.010	.010	.013	.013	.014	.017	.019	.019	.023
,	.007	.008	.009	.010	.010	.012	.014	.016	.017	.019	.021	.023
+	.042	.050	.056	.064	.069	.077	.085	.097	.110	.125	.139	.153
-	.021	.025	.029	.032	.036	.039	.043	.051	.056	.064	.071	.078
/	.023	.029	.033	.037	.042	.046	.050	.057	.065	.074	.081	.089

**Note: Minimum distance between characters is critical to legibility and cannot be less than .015".**

## KP01 Series Legend Instructions

Actual Font and Size	EWI	EWI	EWI	EWI	EWI	EWI	EWI	EWI	EWI	EWI	EWI	EWI
Font Size in Points	6	7	8	9	10	11	12	14	16	18	20	22
Character Height	.064"	.077"	.086"	.096"	.107"	.118"	.129"	.149"	.171"	.189"	.214"	.250"
Character	Character Widths in Inches											
A	.054	.063	.072	.081	.089	.097	.108	.126	.142	.159	.178	.196
B	.045	.054	.061	.069	.076	.084	.091	.105	.122	.139	.151	.167
C	.053	.062	.069	.079	.088	.096	.105	.122	.139	.159	.176	.194
D	.048	.056	.065	.073	.082	.090	.097	.112	.129	.145	.161	.178
E	.044	.052	.059	.066	.074	.081	.086	.103	.116	.132	.145	.160
F	.042	.056	.056	.063	.069	.076	.082	.095	.102	.123	.136	.149
G	.056	.064	.075	.085	.094	.103	.111	.130	.147	.167	.185	.204
H	.048	.056	.063	.071	.079	.087	.094	.109	.125	.140	.157	.173
I	.009	.010	.011	.010	.014	.013	.016	.019	.020	.024	.028	.029
J	.035	.041	.047	.051	.057	.064	.070	.081	.090	.102	.115	.127
K	.049	.057	.064	.073	.081	.088	.097	.111	.127	.144	.162	.178
L	.039	.043	.051	.057	.063	.069	.076	.088	.102	.113	.127	.139
M	.059	.067	.077	.086	.096	.107	.116	.134	.155	.173	.191	.211
N	.049	.058	.064	.072	.079	.087	.096	.111	.129	.141	.160	.175
O	.059	.069	.079	.089	.097	.109	.117	.138	.156	.177	.198	.215
P	.044	.052	.058	.066	.074	.082	.089	.103	.115	.133	.148	.161
Q	.058	.069	.079	.089	.099	.108	.117	.139	.157	.177	.198	.216
R	.050	.058	.067	.075	.082	.090	.098	.113	.130	.147	.164	.181
S	.048	.056	.064	.072	.080	.088	.096	.111	.126	.142	.161	.161
T	.049	.056	.063	.071	.080	.089	.097	.111	.127	.142	.161	.176
U	.048	.056	.063	.071	.078	.087	.094	.110	.126	.139	.158	.173
V	.052	.060	.071	.077	.086	.097	.103	.120	.138	.154	.173	.189
W	.076	.089	.101	.114	.128	.138	.153	.178	.204	.227	.251	.280
X	.053	.062	.071	.080	.088	.098	.106	.122	.140	.156	.174	.193
Y	.054	.064	.073	.083	.090	.100	.109	.126	.146	.162	.181	.200
Z	.047	.054	.063	.070	.078	.086	.094	.108	.124	.139	.155	.172
1	.021	.023	.029	.031	.035	.038	.041	.046	.056	.063	.068	.076
2	.041	.047	.055	.061	.066	.074	.078	.093	.107	.119	.134	.146
3	.041	.046	.054	.060	.067	.072	.080	.094	.107	.119	.133	.146
4	.042	.048	.056	.062	.069	.076	.082	.096	.111	.122	.138	.151
5	.041	.048	.054	.061	.067	.074	.080	.093	.107	.120	.134	.148
6	.040	.046	.054	.060	.066	.072	.080	.092	.107	.119	.131	.145
7	.041	.047	.053	.060	.069	.072	.080	.093	.105	.118	.133	.145
8	.040	.046	.053	.060	.066	.073	.079	.092	.107	.119	.133	.147
9	.040	.046	.053	.059	.065	.072	.080	.092	.105	.119	.132	.145
0	.040	.045	.052	.059	.065	.071	.077	.090	.102	.116	.129	.141
.	.009	.011	.012	.014	.015	.016	.017	.020	.023	.027	.029	.031
,	.008	.011	.012	.014	.017	.017	.018	.020	.024	.026	.030	.023
+	.041	.048	.054	.061	.068	.074	.081	.095	.110	.122	.134	.149
-	.020	.023	.026	.030	.034	.037	.041	.048	.054	.061	.066	.074
/	.025	.029	.033	.039	.041	.045	.050	.056	.065	.074	.081	.089

**Note: Minimum distance between characters is critical to legibility and cannot be less than .015".**

## KP01 Series Legend Instructions

Actual Font and Size			EWI	EWI	EWI	EWI	EWI	EWI	EWI	EWI	EWI	EWI
Font Size in Points	6	7	8	9	10	11	12	14	16	18	20	22
Character Height	n/a	n/a	.086"	.096"	.107"	.117"	.128"	.149"	.170"	.191"	.203"	.234"
Character	Character Widths in Inches											
A			.076	.085	.095	.105	.113	.132	.150	.170	.189	.208
B	n/a	n/a	.065	.073	.082	.089	.097	.114	.129	.146	.163	.179
C			.073	.081	.089	.098	.107	.125	.144	.162	.179	.196
D			.068	.076	.085	.093	.102	.119	.135	.151	.168	.186
E	n/a	n/a	.062	.069	.076	.084	.092	.107	.122	.137	.152	.168
F			.057	.065	.072	.079	.086	.101	.115	.129	.143	.157
G			.075	.084	.094	.103	.112	.130	.149	.168	.186	.205
H	n/a	n/a	.065	.075	.083	.090	.099	.116	.131	.148	.164	.181
I			.017	.019	.022	.023	.026	.030	.034	.038	.043	.047
J			.052	.059	.065	.071	.077	.091	.103	.116	.129	.142
K	n/a	n/a	.073	.082	.090	.099	.109	.126	.143	.162	.180	.198
L			.056	.063	.070	.076	.084	.098	.111	.126	.140	.154
M			.080	.089	.100	.109	.120	.140	.159	.179	.199	.219
N	n/a	n/a	.067	.075	.083	.091	.100	.116	.132	.148	.166	.182
O			.079	.088	.097	.107	.118	.137	.156	.176	.195	.215
P			.063	.070	.078	.086	.095	.109	.124	.140	.155	.171
Q	n/a	n/a	.077	.088	.098	.108	.118	.137	.157	.175	.195	.216
R			.067	.076	.083	.092	.100	.116	.133	.149	.167	.184
S			.068	.076	.084	.092	.102	.118	.135	.151	.168	.185
T	n/a	n/a	.065	.074	.082	.089	.098	.115	.131	.147	.163	.180
U			.065	.073	.082	.089	.098	.114	.129	.145	.162	.177
V			.069	.078	.087	.096	.104	.122	.140	.157	.175	.191
W	n/a	n/a	.102	.116	.129	.142	.155	.180	.206	.230	.256	.281
X			.070	.081	.089	.098	.106	.122	.140	.159	.176	.193
Y			.069	.078	.087	.096	.105	.122	.139	.156	.175	.191
Z	n/a	n/a	.062	.069	.077	.084	.092	.108	.122	.138	.153	.168
1			.035	.039	.043	.049	.053	.060	.069	.078	.086	.096
2			.054	.061	.067	.074	.082	.094	.107	.122	.135	.148
3	n/a	n/a	.055	.062	.069	.076	.082	.095	.109	.122	.136	.149
4			.056	.063	.069	.077	.083	.098	.112	.125	.140	.153
5			.056	.062	.069	.076	.083	.096	.109	.122	.136	.151
6	n/a	n/a	.055	.063	.069	.076	.082	.096	.109	.122	.138	.149
7			.056	.063	.070	.077	.084	.098	.112	.119	.140	.154
8			.056	.063	.069	.078	.085	.099	.112	.127	.140	.154
9	n/a	n/a	.055	.061	.069	.076	.083	.096	.109	.122	.135	.149
0			.055	.062	.069	.076	.081	.096	.109	.122	.137	.150
.			.017	.019	.021	.023	.026	.030	.033	.038	.043	.047
,	n/a	n/a	.017	.020	.022	.023	.026	.030	.034	.038	.043	.047
+			.054	.061	.068	.075	.081	.096	.108	.122	.135	.148
-			.031	.034	.038	.042	.046	.054	.061	.069	.078	.084
/	n/a	n/a	.030	.035	.038	.043	.046	.054	.062	.069	.076	.084

**Note: Minimum distance between characters is critical to legibility and cannot be less than .015".**

## KP01 Series Legend Instructions

Actual Font and Size			EWI	EWI	EWI	EWI	EWI	EWI	EWI	EWI	EWI	EWI
Font Size in Points	6	7	8	9	10	11	12	14	16	18	20	22
Character Height	n/a	n/a	.084"	.095"	.106"	.116"	.126"	.149"	.169"	.189"	.211"	.229"
Character	Character Widths in Inches											
A			.085	.096	.106	.116	.127	.148	.170	.186	.211	.233
B	n/a	n/a	.075	.084	.093	.102	.111	.129	.147	.167	.184	.203
C			.082	.091	.102	.112	.122	.142	.162	.182	.203	.222
D			.078	.088	.097	.107	.115	.136	.155	.174	.193	.214
E	n/a	n/a	.068	.076	.084	.093	.101	.117	.134	.151	.168	.184
F			.063	.071	.079	.087	.094	.110	.125	.141	.157	.173
G			.082	.092	.102	.112	.122	.141	.162	.183	.203	.223
H	n/a	n/a	.078	.088	.097	.108	.117	.136	.155	.175	.194	.212
I			.027	.030	.034	.037	.040	.047	.053	.060	.067	.072
J			.065	.072	.081	.088	.096	.112	.127	.142	.159	.175
K	n/a	n/a	.084	.095	.104	.116	.125	.147	.167	.188	.210	.230
L			.063	.071	.079	.087	.094	.110	.125	.141	.157	.171
M			.092	.103	.115	.126	.139	.161	.184	.208	.230	.251
N	n/a	n/a	.078	.087	.097	.108	.116	.136	.155	.175	.194	.214
O			.085	.095	.106	.116	.126	.148	.168	.190	.211	.231
P			.074	.083	.092	.101	.109	.128	.146	.165	.183	.200
Q	n/a	n/a	.085	.095	.106	.116	.126	.147	.168	.189	.211	.230
R			.076	.087	.096	.105	.115	.135	.153	.172	.192	.212
S			.074	.083	.092	.101	.109	.129	.147	.165	.182	.201
T	n/a	n/a	.074	.084	.093	.102	.110	.129	.147	.166	.185	.203
U			.078	.088	.097	.108	.116	.135	.155	.175	.194	.211
V			.083	.093	.102	.112	.123	.142	.164	.184	.205	.226
W	n/a	n/a	.111	.124	.138	.152	.167	.194	.221	.250	.275	.303
X			.086	.097	.106	.117	.128	.149	.171	.190	.213	.234
Y			.086	.098	.109	.119	.129	.150	.172	.194	.215	.237
Z	n/a	n/a	.073	.082	.090	.100	.109	.127	.145	.163	.181	.199
1			.042	.047	.052	.058	.063	.073	.083	.094	.104	.113
2			.068	.076	.083	.091	.100	.117	.132	.149	.167	.183
3	n/a	n/a	.069	.076	.083	.092	.101	.117	.133	.150	.167	.184
4			.069	.076	.086	.094	.102	.120	.136	.154	.170	.188
5			.069	.076	.085	.094	.102	.120	.136	.153	.170	.186
6	n/a	n/a	.069	.077	.086	.095	.103	.121	.137	.154	.171	.189
7			.064	.072	.080	.088	.096	.111	.127	.142	.158	.175
8			.069	.077	.085	.094	.102	.120	.135	.154	.170	.186
9	n/a	n/a	.069	.077	.085	.096	.102	.121	.136	.155	.170	.189
0			.069	.076	.085	.095	.103	.119	.136	.154	.171	.189
.			.023	.027	.030	.033	.036	.042	.048	.053	.060	.066
,	n/a	n/a	.023	.027	.030	.033	.037	.042	.048	.054	.060	.066
+			.056	.063	.071	.077	.084	.098	.114	.127	.141	.155
-			.030	.034	.037	.042	.045	.053	.061	.068	.076	.083
/	n/a	n/a	.039	.043	.049	.052	.058	.068	.077	.086	.096	.104

**Note: Minimum distance between characters is critical to legibility and cannot be less than .015".**

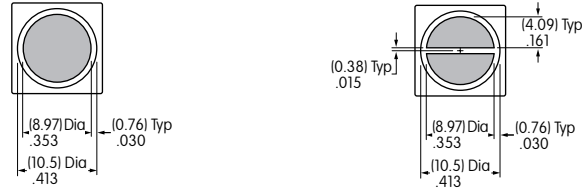


Note: All gray areas represent printable surfaces.

**AT3078 Sculptured Cap Lens**

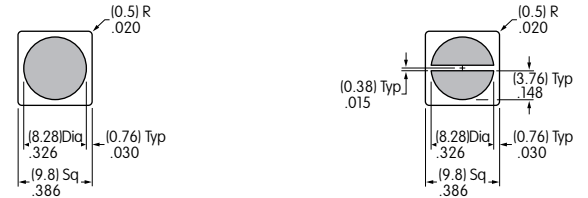
**12.0mm/.472" Square**

- 1 line maximum height .353"
- 2 lines maximum height .161"
- Maximum width .353"



**AT3078 Sculptured Cap Film Insert**

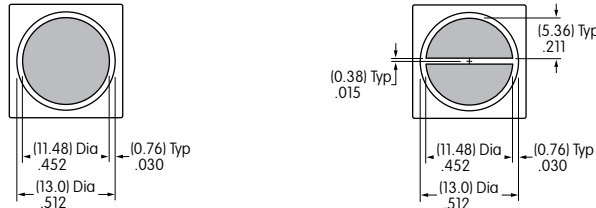
- 1 line maximum height .326"
- 2 lines maximum height .148"
- Maximum width .326"



**AT3079 Sculptured Cap Lens**

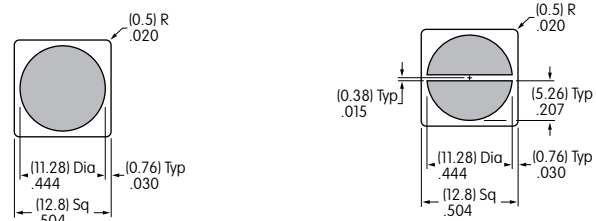
**15.0mm/.591" Square**

- 1 line maximum height .452"
- 2 lines maximum height .211"
- Maximum width .452"



**AT3079 Sculptured Cap Film Insert**

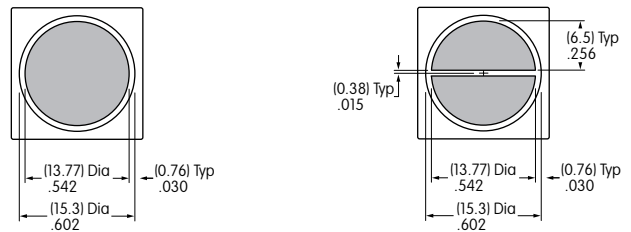
- 1 line maximum height .444"
- 2 lines maximum height .207"
- Maximum width .444"



**AT3080 Sculptured Cap Lens**

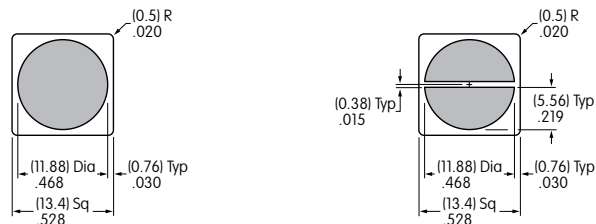
**17.4mm/.685" Square**

- 1 line maximum height .542"
- 2 lines maximum height .256"
- Maximum width .542"



**AT3080 Sculptured Cap Film Insert**

- 1 line maximum height .468"
- 2 lines maximum height .219"
- Maximum width .468"



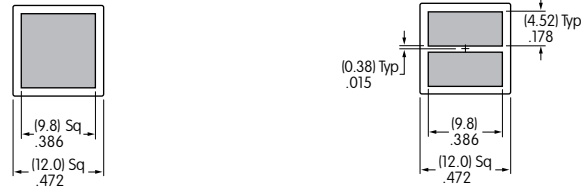
Note maximum space available for 1 or 2 line legends. These dimensions must be considered when choosing font style and size for round printable area of cap lens, diffuser, insert or film insert.

Note: All gray areas represent printable surfaces.

**AT3083 Flat Cap Lens**

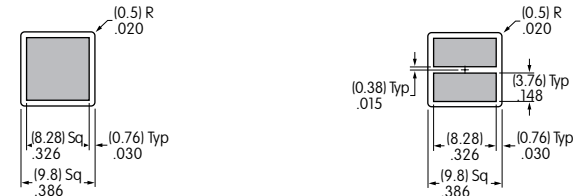
**12.0mm/.472" Square**

1 line maximum height .386"  
2 lines maximum height .178"  
Maximum width .386"



**AT3083 Flat Cap Film Insert**

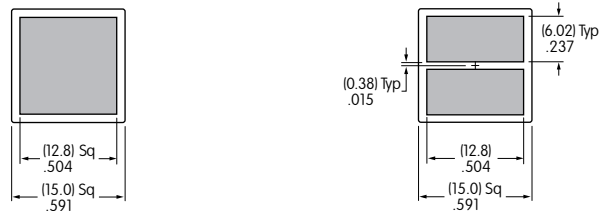
1 line maximum height .326"  
2 lines maximum height .148"  
Maximum width .326"



**AT3084 Flat Cap Lens**

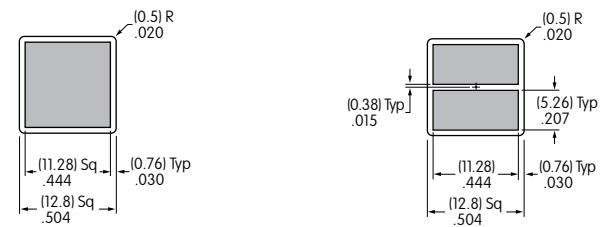
**15.0mm/.591" Square**

1 line maximum height .504"  
2 lines maximum height .237"  
Maximum width .504"



**AT3084 Flat Cap Film Insert**

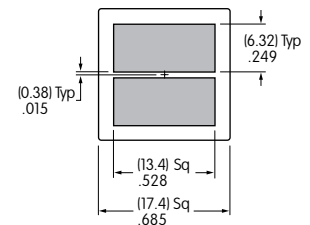
1 line maximum height .444"  
2 lines maximum height .207"  
Maximum width .444"



**AT3085 Flat Cap Lens**

**17.4mm/.685" Square**

1 line maximum height .528"  
2 lines maximum height .249"  
Maximum width .528"



**AT3085 Flat Cap Film Insert**

1 line maximum height .468"  
2 lines maximum height .219"  
Maximum width .468"

